
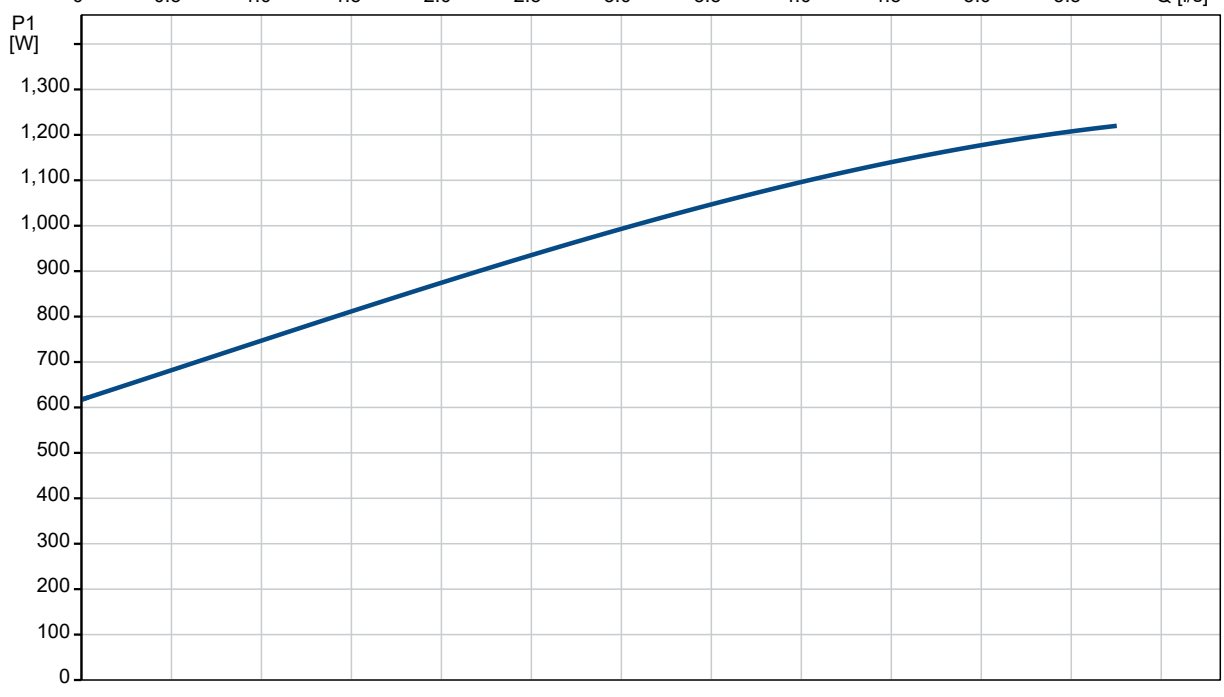
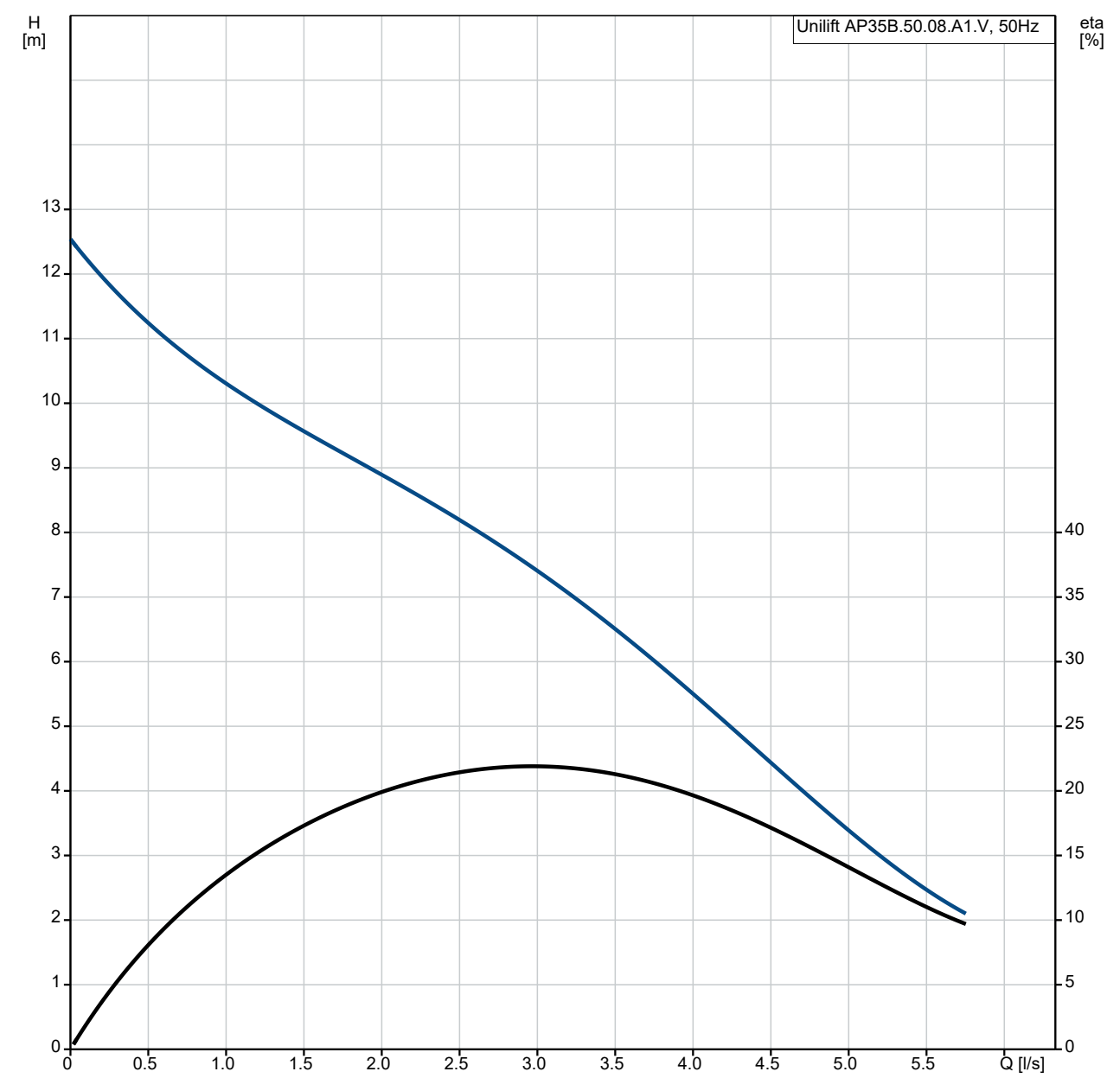


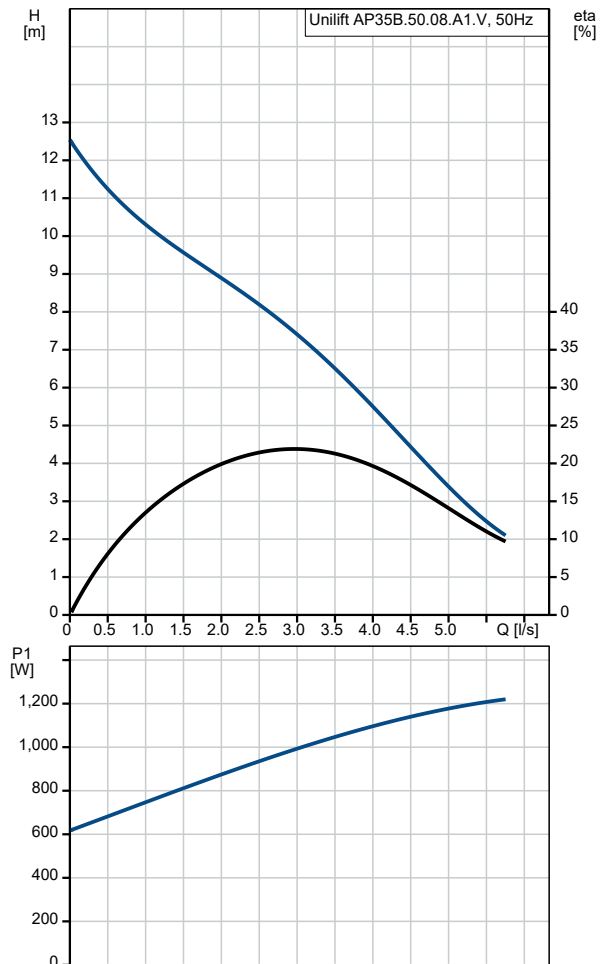
Qty.	Description
1	<p data-bbox="199 161 486 190">Unilift AP35B.50.08.A1.V</p>  <p data-bbox="593 862 1066 884">Note! Product picture may differ from actual product</p> <p data-bbox="199 896 491 952">Product No.: 96004574 Submersible effluent pump</p> <p data-bbox="199 981 1024 1064">Vertical single-stage stainless steel submersible Phase: pump with integrated submersible 1-phase motor.</p> <p data-bbox="199 1102 997 1214">The pump is fitted with ring stand and carrying Cable length: handle and is supplied with a 5 m mains cable and a level switch for automatic start and stop.</p> <p data-bbox="199 1249 1013 1361">Impeller type: The impeller is a VORTEX impeller for Free passage: 35 mm free passage suitable for pumping surface water, groundwater, wastewater and similar.</p> <p data-bbox="199 1400 726 1482">The pump has a double shaft seal and an intermediate oil chamber pre-filled with non-toxic special oil.</p> <p data-bbox="199 1518 737 1601">The motor is insulation class F with thermal overload protection and has long-life deep-groove greased-for-life ball bearings.</p> <p data-bbox="199 1639 1008 1720">Pump outlet: The pump has R 2" discharge port and is ready for installation either free-standing or on an auto-coupling system.</p> <p data-bbox="199 1758 699 1841">Liquid: Maximum liquid temperature: 40 °C Density: 998.2 kg/m³</p> <p data-bbox="199 1877 673 1960">Technical: Type of impeller: VORTEX Maximum particle size: 35 mm</p> <p data-bbox="199 1998 769 2110">Materials: Pump housing: Stainless steel DIN W.-Nr. 1.4301 AISI 304</p>

Qty.	Description
	<p>Impeller: Stainless steel DIN W.-Nr. 1.4301 AISI 304</p> <p>Installation:</p> <p>Pump outlet: R 2"</p> <p>Maximum installation depth: 2 m</p> <p>Auto-coupling: Y</p> <p>Electrical data:</p> <p>Motor type 1-phase: PSC</p> <p>Power input - P1: 1.25 kW</p> <p>Mains frequency: 50 Hz</p> <p>Rated voltage: 1 x 230 V</p> <p>Rated current: 5.44 A</p> <p>Cos phi - power factor: 0.98</p> <p>Rated speed: 2795 rpm</p> <p>Capacitor size - run: 16 µF/400 V</p> <p>Enclosure class (IEC 34-5): IP68</p> <p>Insulation class (IEC 85): F</p> <p>Length of cable: 5 m</p> <p>Type of cable plug: SCHUKO</p> <p>Others:</p> <p>Net weight: 11 kg</p> <p>Gross weight: 12 kg</p> <p>Danish VVS No.: 391270332</p> <p>Swedish RSK No.: 5885934</p> <p>Finnish LVI No.: 4822555</p> <p>Norwegian NRF no.: 9045691</p>

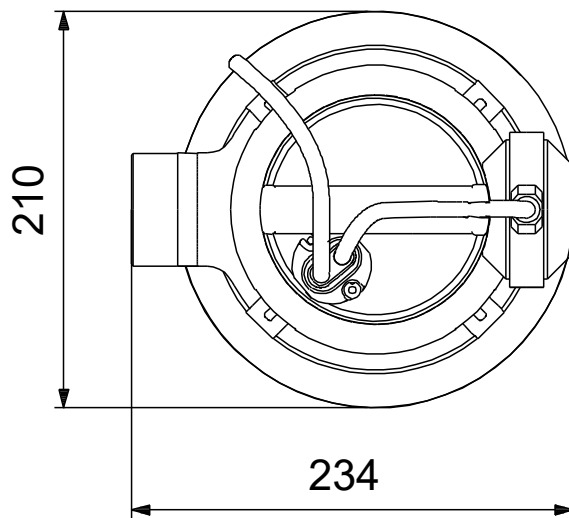
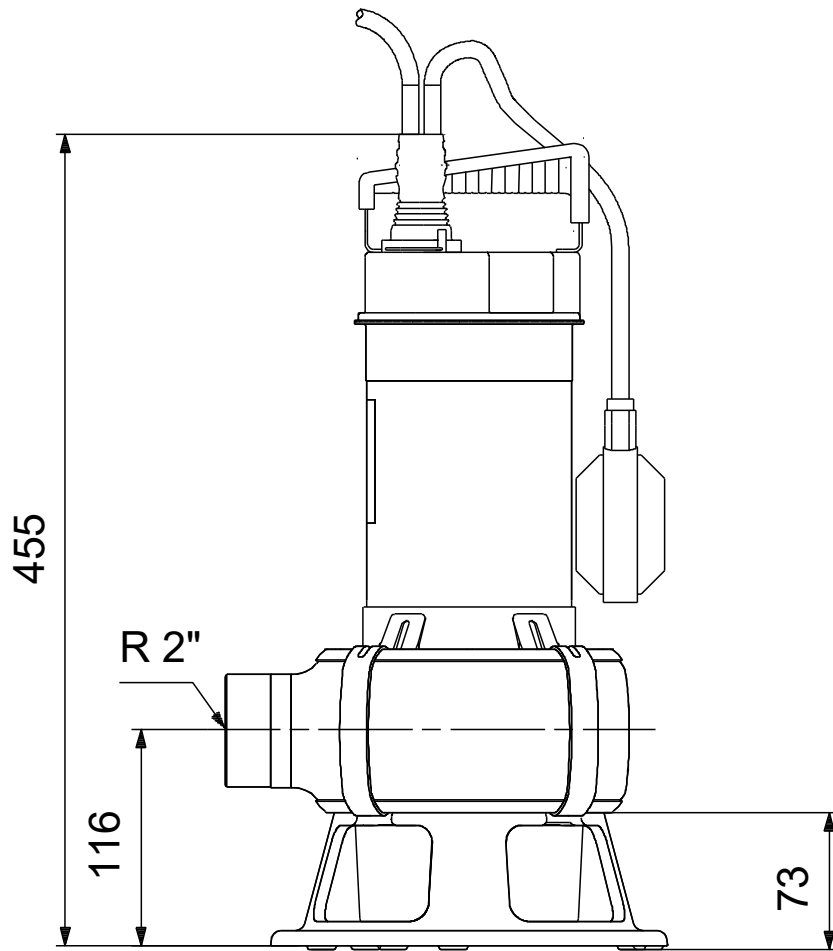
96004574 Unilift AP35B.50.08.A1.V 50 Hz



Description	Value
General information:	
Product name:	Unilift AP35B.50.08.A1.V
Product No:	96004574
EAN number:	5700391489013
Price:	
Technical:	
Maximum flow:	5.83 l/s
Max flow:	5.83 l/s
Head max:	13 m
Type of impeller:	VORTEX
Maximum particle size:	35 mm
Materials:	
Pump housing:	Stainless steel
Pump housing:	DIN W.-Nr. 1.4301
Pump housing:	AISI 304
Impeller:	Stainless steel
Impeller:	DIN W.-Nr. 1.4301
Impeller:	AISI 304
Installation:	
Pump outlet:	R 2"
Maximum installation depth:	2 m
Inst dry/wet:	S
Installation:	horizontal or vertical
Auto-coupling:	Y
Liquid:	
Maximum liquid temperature:	40 °C
Density:	998.2 kg/m ³
Electrical data:	
Motor type 1-phase:	PSC
Power input - P1:	1.25 kW
P2:	0.71 kW
Mains frequency:	50 Hz
Rated voltage:	1 x 230 V
Rated current:	5.44 A
Cos phi - power factor:	0.98
Rated speed:	2795 rpm
Capacitor size - run:	16 µF/400 V
Enclosure class (IEC 34-5):	IP68
Insulation class (IEC 85):	F
Motor protec:	CONTACT
Thermal protec:	internal
Length of cable:	5 m
Type of cable plug:	SCHUKO
Controls:	
Level switch:	float switch
Others:	
Net weight:	11 kg
Gross weight:	12 kg
Danish VVS No.:	391270332
Swedish RSK No.:	5885934
Finnish LVI No.:	4822555
Norwegian NRF no.:	9045691

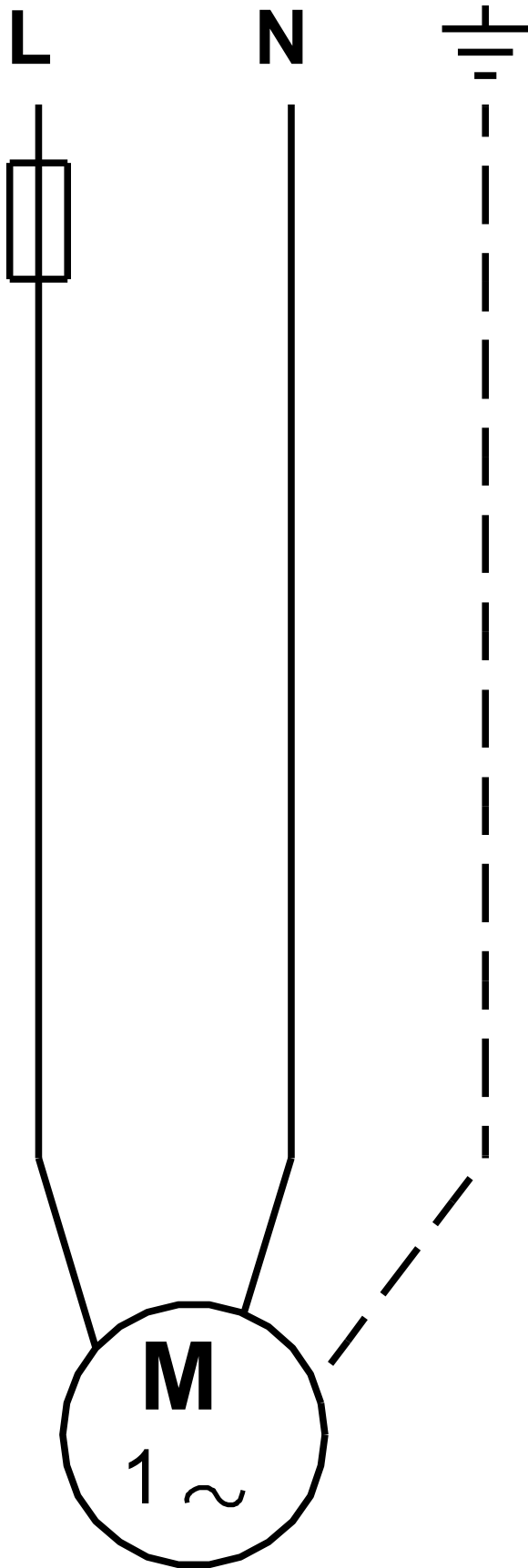


96004574 Unilift AP35B.50.08.A1.V 50 Hz



Note! All units are in [mm] unless others are stated.
Disclaimer: This simplified dimensional drawing does not show all details.

96004574 Unilift AP35B.50.08.A1.V 50 Hz



Note! All units are in [mm] unless others are stated.