
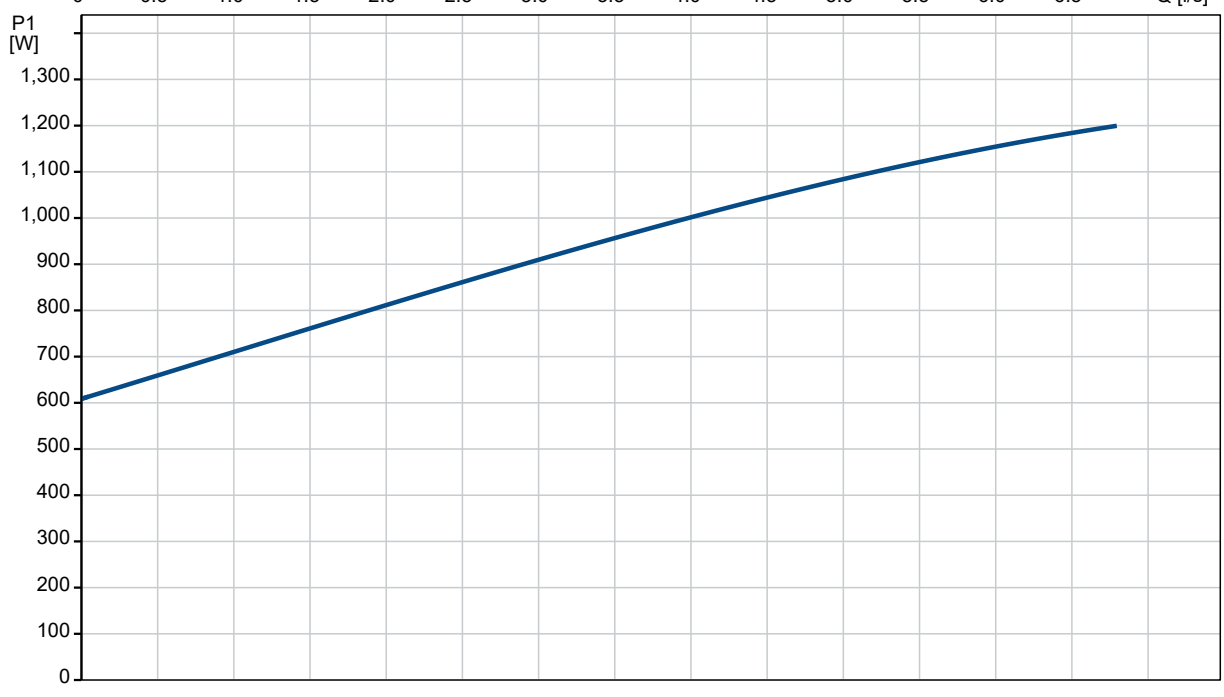
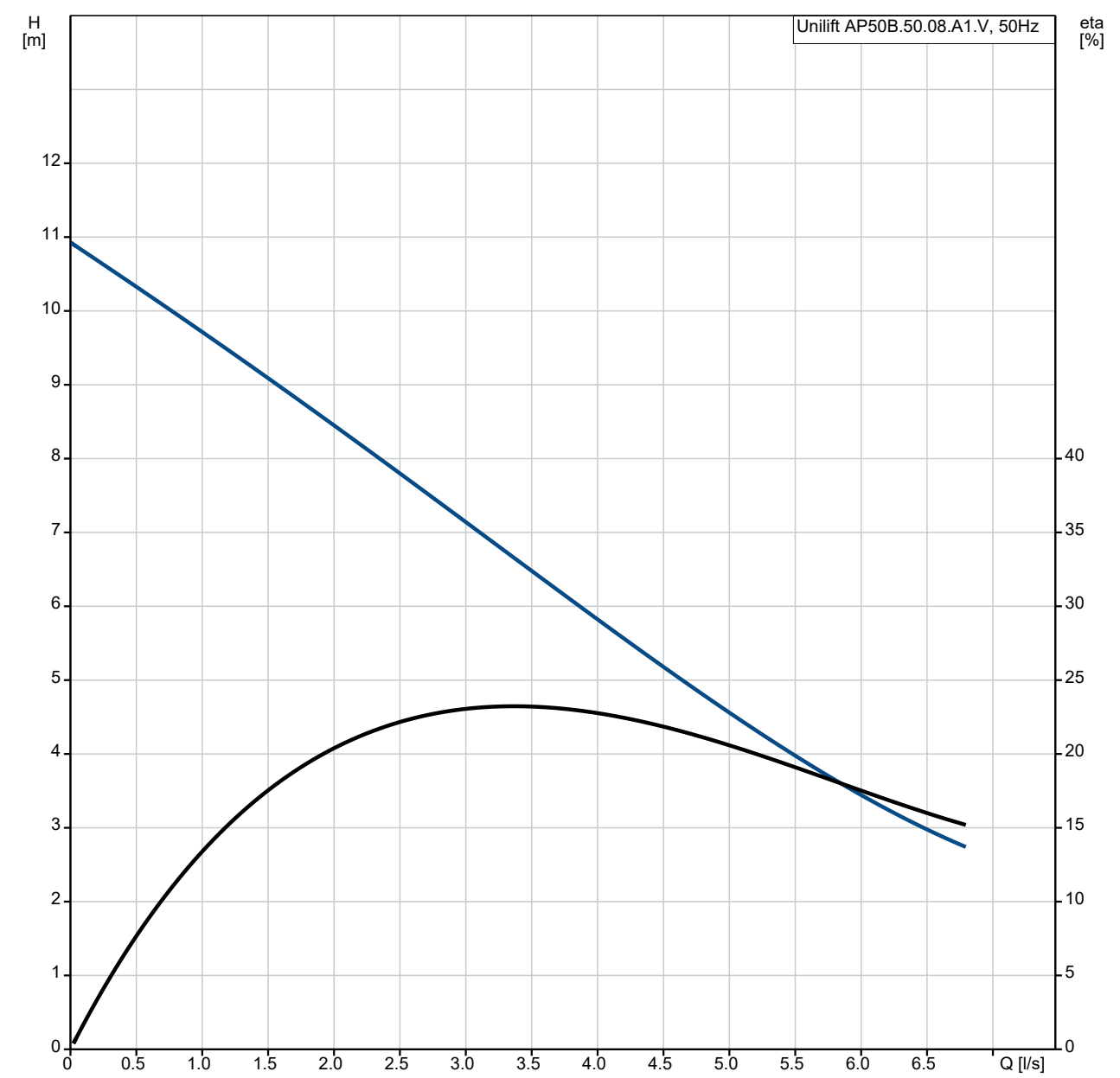


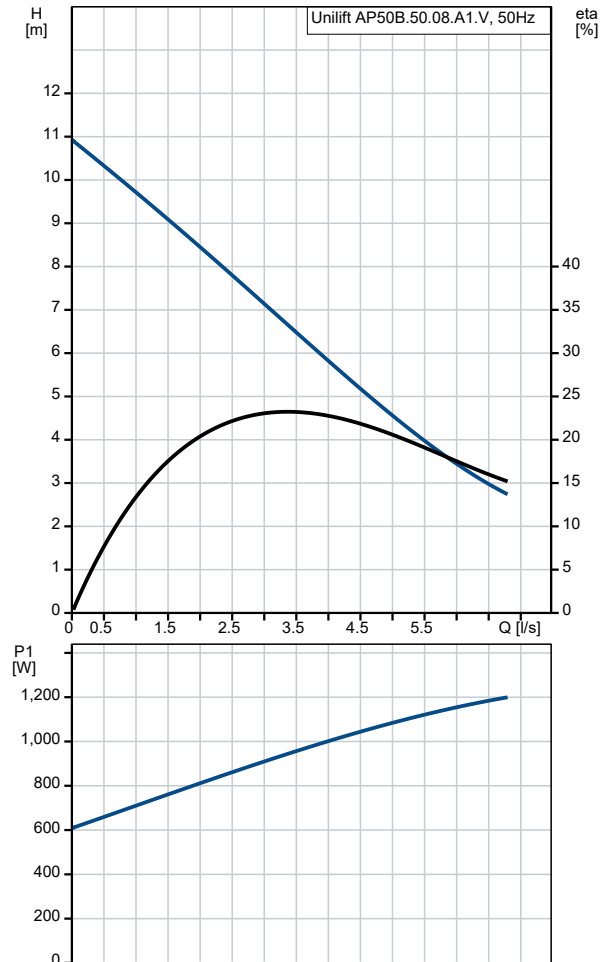
Qty.	Description
1	<p data-bbox="199 161 486 190">Unilift AP50B.50.08.A1.V</p>  <p data-bbox="590 806 1061 833" style="text-align: center;">Note! Product picture may differ from actual product</p> <p data-bbox="199 840 486 866">Product No.: 96004586</p> <p data-bbox="199 869 486 896">Submersible effluent pump</p> <p data-bbox="199 929 1021 1019">Vertical single-stage stainless steel submersible Phase: pump with integrated submersible 1-phase motor.</p> <p data-bbox="199 1041 997 1164">The pump is fitted with ring stand and carrying handle and is supplied with a 5 m mains cable and a level switch for automatic start and stop.</p> <p data-bbox="199 1198 1013 1310">Impeller type: The impeller is a VORTEX impeller for Free passage: 50 mm free passage suitable for pumping surface water, groundwater, wastewater and similar.</p> <p data-bbox="199 1344 726 1433">The pump has a double shaft seal and an intermediate oil chamber pre-filled with non-toxic special oil.</p> <p data-bbox="199 1467 742 1556">The motor is insulation class F with thermal overload protection and has long-life deep-groove greased-for-life ball bearings.</p> <p data-bbox="199 1579 1005 1668">Pump outlet: The pump has R 2" discharge port and is ready for installation either free-standing or on an auto-coupling system.</p> <p data-bbox="199 1702 694 1792">Liquid: Maximum liquid temperature: 40 °C Density: 998.2 kg/m³</p> <p data-bbox="199 1825 670 1915">Technical: Type of impeller: VORTEX Maximum particle size: 50 mm</p> <p data-bbox="199 1937 766 2049">Materials: Pump housing: Stainless steel DIN W.-Nr. 1.4301 AISI 304</p> <p data-bbox="199 2060 726 2094">Impeller: Stainless steel</p>

Qty.	Description
	DIN W.-Nr. 1.4301 AISI 304
	Installation:
	Pump outlet: R 2"
	Maximum installation depth: 2 m
	Auto-coupling: Y
	Electrical data:
	Motor type 1-phase: PSC
	Power input - P1: 1.2 kW
	Mains frequency: 50 Hz
	Rated voltage: 1 x 230 V
	Rated current: 5.37 A
	Cos phi - power factor: 0.97
	Rated speed: 2790 rpm
	Capacitor size - run: 16 µF/400 V
	Enclosure class (IEC 34-5): IP68
	Insulation class (IEC 85): F
	Length of cable: 5 m
	Type of cable plug: SCHUKO
	Others:
	Net weight: 11 kg
	Gross weight: 12 kg
	Danish VVS No.: 391272312
	Swedish RSK No.: 5885936
	Finnish LVI No.: 4822588

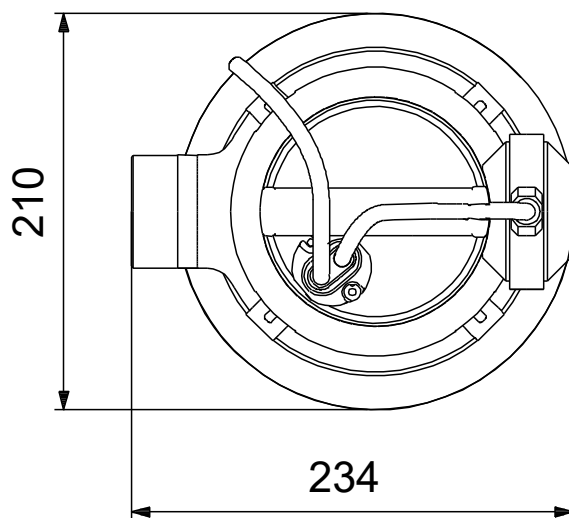
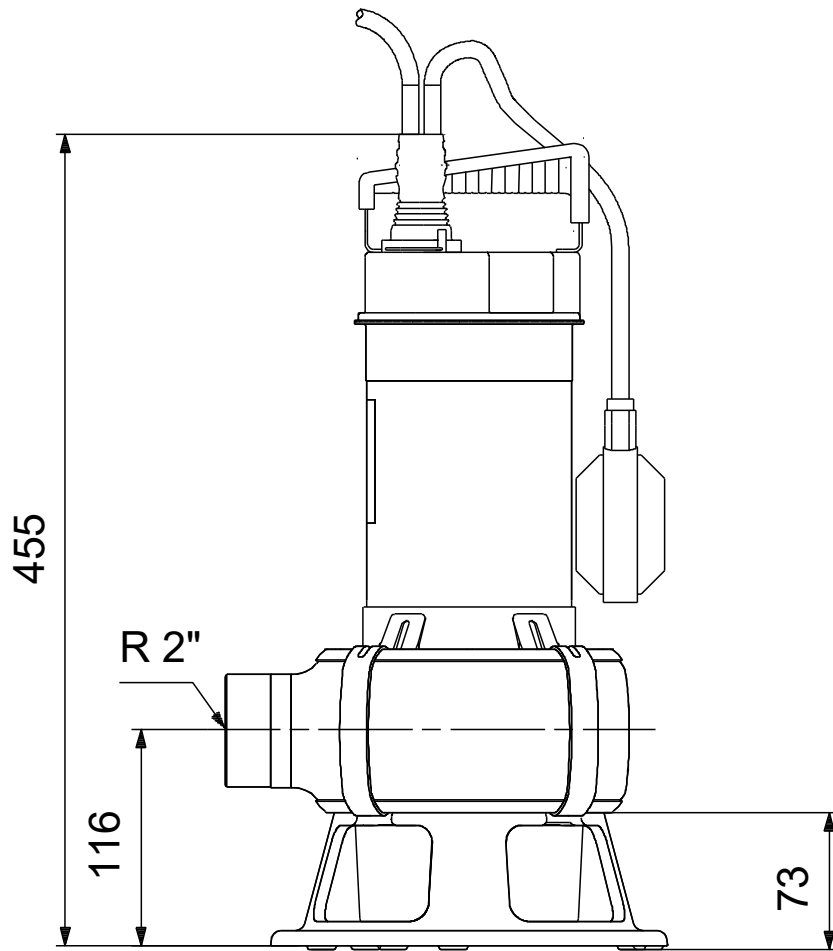
96004586 Unilift AP50B.50.08.A1.V 50 Hz



Description	Value
General information:	
Product name:	Unilift AP50B.50.08.A1.V
Product No:	96004586
EAN number:	5700391489501
Price:	
Technical:	
Maximum flow:	6.67 l/s
Max flow:	6.67 l/s
Head max:	11 m
Type of impeller:	VORTEX
Maximum particle size:	50 mm
Materials:	
Pump housing:	Stainless steel
Pump housing:	DIN W.-Nr. 1.4301
Pump housing:	AISI 304
Impeller:	Stainless steel
Impeller:	DIN W.-Nr. 1.4301
Impeller:	AISI 304
Installation:	
Pump outlet:	R 2"
Maximum installation depth:	2 m
Inst dry/wet:	S
Installation:	horizontal or vertical
Auto-coupling:	Y
Liquid:	
Maximum liquid temperature:	40 °C
Density:	998.2 kg/m ³
Electrical data:	
Motor type 1-phase:	PSC
Power input - P1:	1.2 kW
P2:	0.74 kW
Mains frequency:	50 Hz
Rated voltage:	1 x 230 V
Rated current:	5.37 A
Cos phi - power factor:	0.97
Rated speed:	2790 rpm
Capacitor size - run:	16 µF/400 V
Enclosure class (IEC 34-5):	IP68
Insulation class (IEC 85):	F
Motor protec:	CONTACT
Thermal protec:	internal
Length of cable:	5 m
Type of cable plug:	SCHUKO
Controls:	
Level switch:	float switch
Others:	
Net weight:	11 kg
Gross weight:	12 kg
Danish VVS No.:	391272312
Swedish RSK No.:	5885936
Finnish LVI No.:	4822588

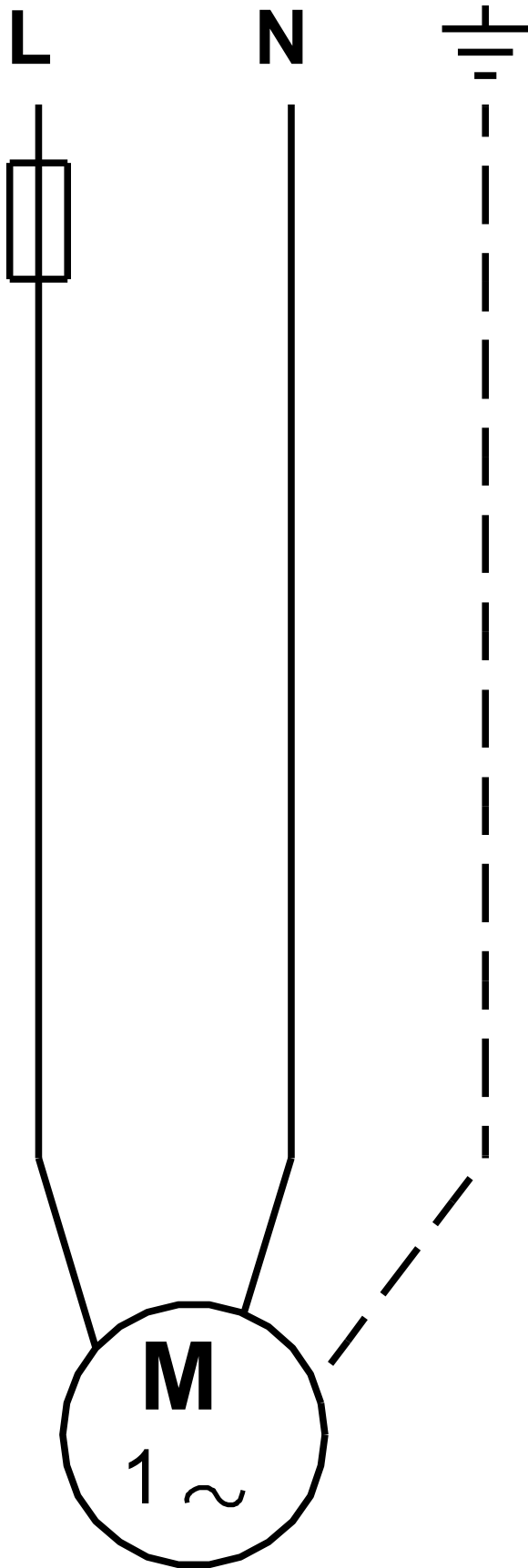


96004586 Unilift AP50B.50.08.A1.V 50 Hz



Note! All units are in [mm] unless others are stated.
Disclaimer: This simplified dimensional drawing does not show all details.

96004586 Unilift AP50B.50.08.A1.V 50 Hz



Note! All units are in [mm] unless others are stated.