
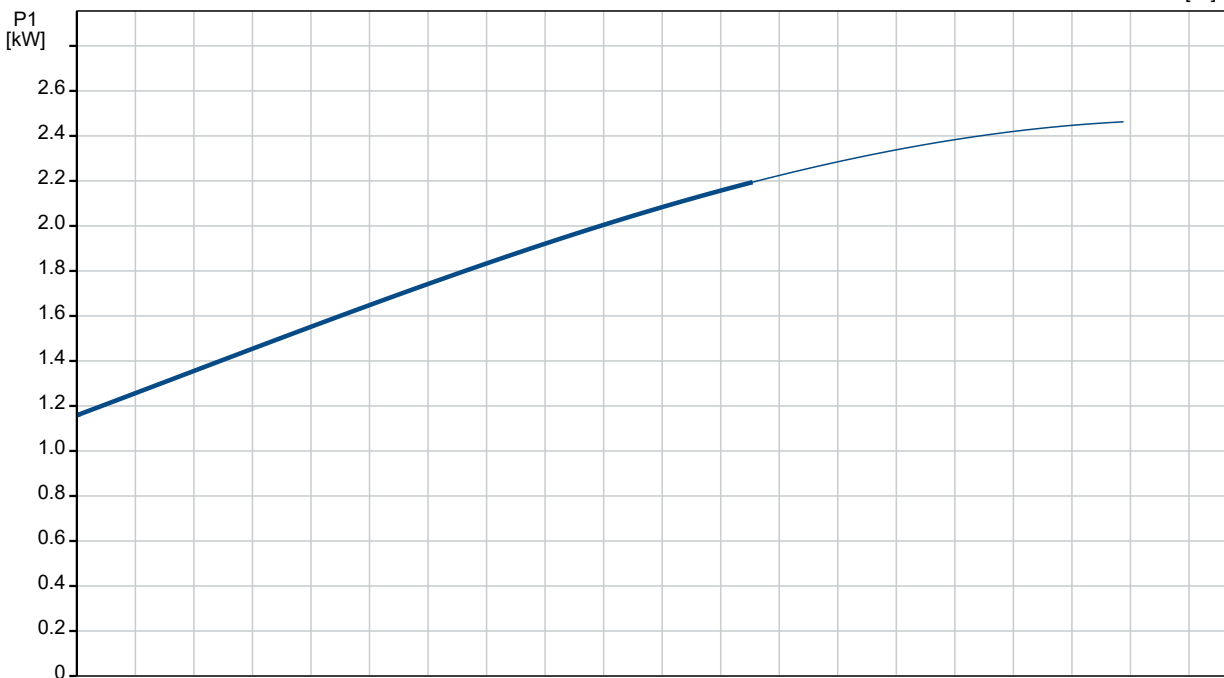
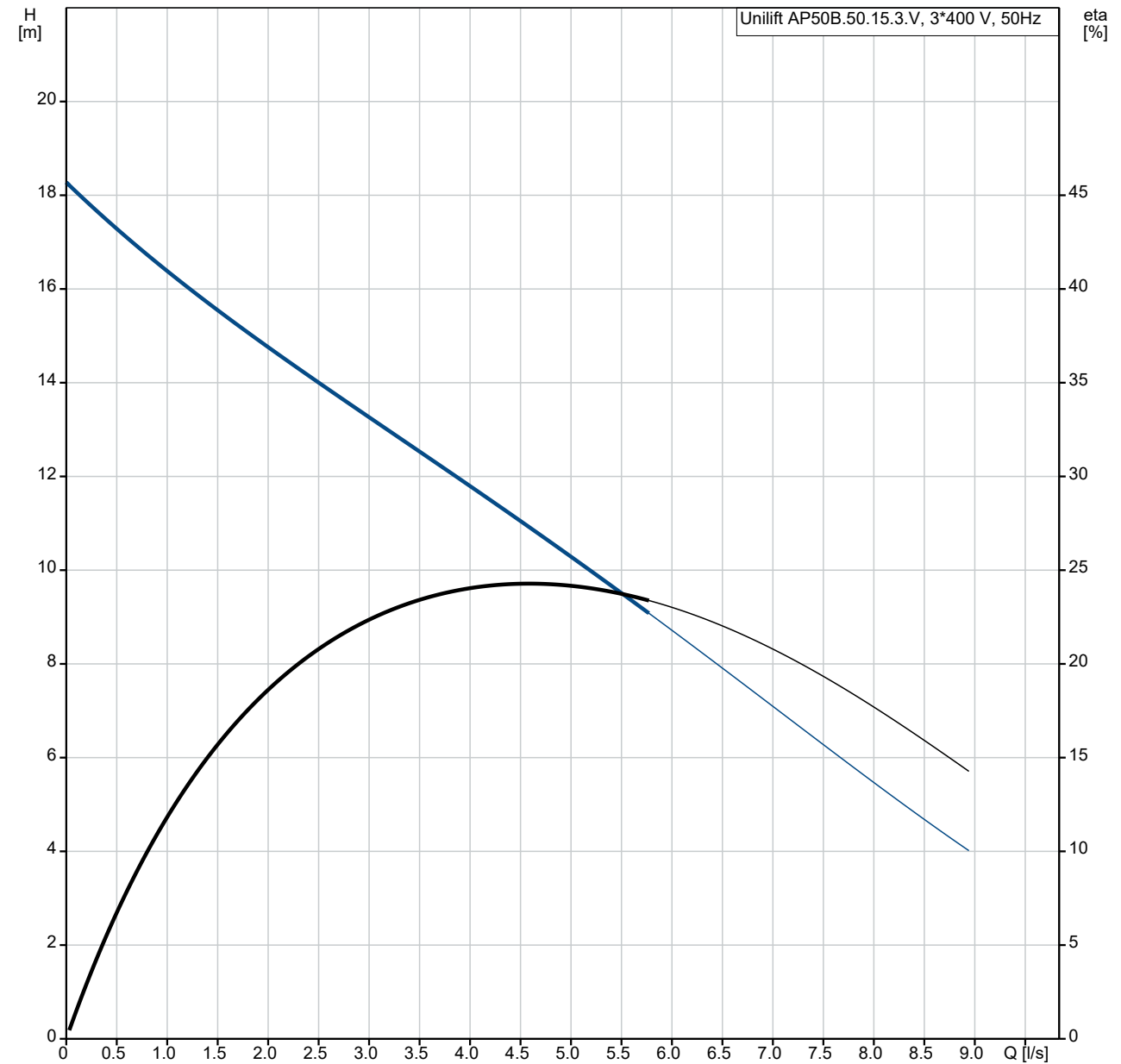


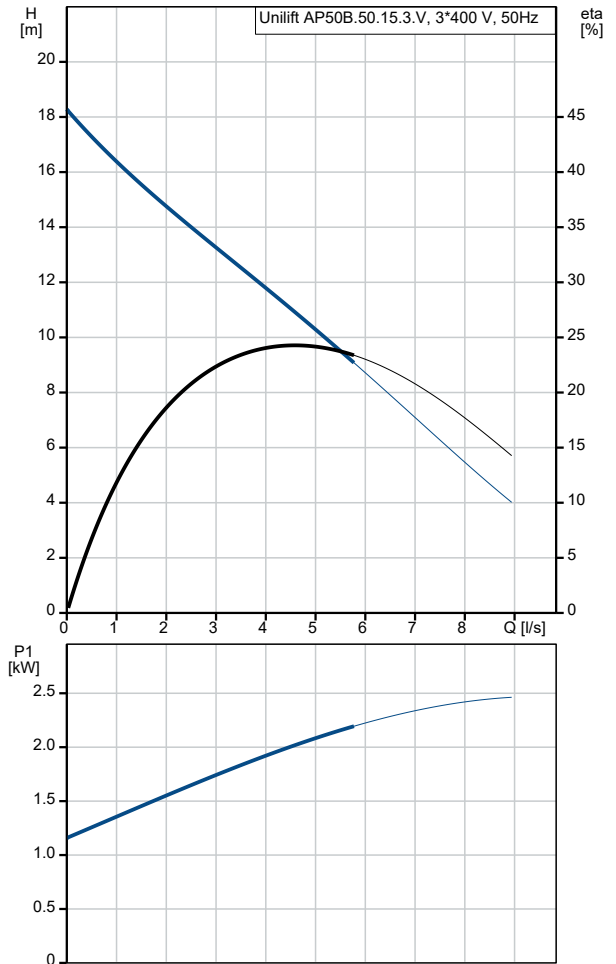
Qty.	Description
1	<p data-bbox="199 161 470 190">Unilift AP50B.50.15.3.V</p>  <p data-bbox="590 862 1061 884">Note! Product picture may differ from actual product</p> <p data-bbox="199 896 486 952">Product No.: 96004609 Submersible effluent pump</p> <p data-bbox="199 974 1021 1064">Vertical single-stage stainless steel submersible Phase: pump with integrated submersible 3-phase motor.</p> <p data-bbox="199 1097 997 1187">The pump is fitted with ring stand and carrying Cable length: handle and is supplied with a 5 m mains cable.</p> <p data-bbox="199 1220 1013 1332">Impeller type: The impeller is a VORTEX impeller for Free passage: 50 mm free passage suitable for pumping surface water, groundwater, wastewater and similar.</p> <p data-bbox="199 1366 726 1456">The pump has a double shaft seal and an intermediate oil chamber pre-filled with non-toxic special oil.</p> <p data-bbox="199 1489 718 1545">The motor is insulation class F and has long-life deep-groove greased-for-life ball bearings.</p> <p data-bbox="199 1579 1077 1668">Pump outlet: The pump has R 2" discharge port and is ready for installation either free-standing or on an auto-coupling system.</p> <p data-bbox="199 1691 694 1780">Liquid: Maximum liquid temperature: 40 °C Density: 998.2 kg/m³</p> <p data-bbox="199 1814 670 1904">Technical: Type of impeller: VORTEX Maximum particle size: 50 mm</p> <p data-bbox="199 1937 766 2049">Materials: Pump housing: Stainless steel DIN W.-Nr. 1.4301 AISI 304</p> <p data-bbox="199 2049 766 2105">Impeller: Stainless steel DIN W.-Nr. 1.4301</p>

Qty.	Description
	AISI 304
	Installation:
	Pump outlet: R 2"
	Maximum installation depth: 2 m
	Auto-coupling: Y
	Electrical data:
	Power input - P1: 2.15 kW
	Mains frequency: 50 Hz
	Rated voltage: 3 x 400 V
	Rated current: 3.7 A
	Cos phi - power factor: 0.85
	Rated speed: 2785 rpm
	Enclosure class (IEC 34-5): IP68
	Insulation class (IEC 85): F
	Length of cable: 5 m
	Type of cable plug: NONE
	Others:
	Net weight: 11.9 kg
	Gross weight: 13.9 kg
	Danish VVS No.: 391273152
	Swedish RSK No.: 5885931
	Finnish LVI No.: 4822595

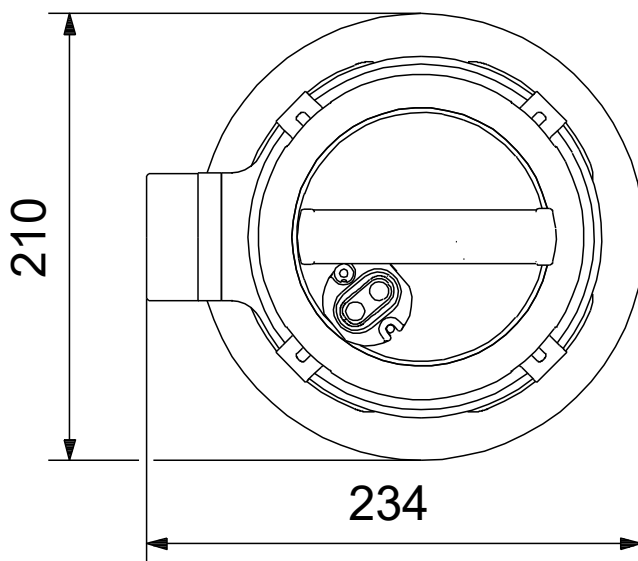
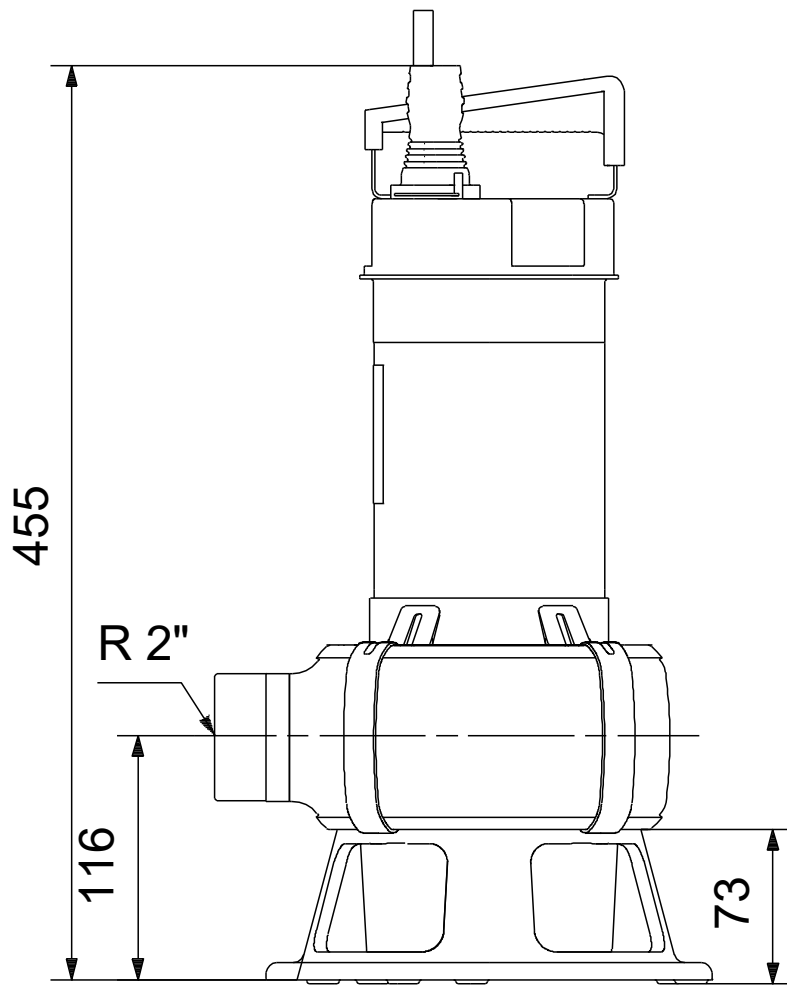
96004609 Unilift AP50B.50.15.3.V 50 Hz



Description	Value
General information:	
Product name:	Unilift AP50B.50.15.3.V
Product No:	96004609
EAN number:	5700392895561
Price:	
Technical:	
Maximum flow:	8.61 l/s
Max flow:	8.61 l/s
Head max:	17 m
Type of impeller:	VORTEX
Maximum particle size:	50 mm
Materials:	
Pump housing:	Stainless steel
Pump housing:	DIN W.-Nr. 1.4301
Pump housing:	AISI 304
Impeller:	Stainless steel
Impeller:	DIN W.-Nr. 1.4301
Impeller:	AISI 304
Installation:	
Pump outlet:	R 2"
Maximum installation depth:	2 m
Inst dry/wet:	S
Installation:	horizontal or vertical
Auto-coupling:	Y
Liquid:	
Maximum liquid temperature:	40 °C
Density:	998.2 kg/m ³
Electrical data:	
Power input - P1:	2.15 kW
P2:	1.5 kW
Mains frequency:	50 Hz
Rated voltage:	3 x 400 V
Rated current:	3.7 A
Cos phi - power factor:	0.85
Rated speed:	2785 rpm
Enclosure class (IEC 34-5):	IP68
Insulation class (IEC 85):	F
Motor protec:	NONE
Thermal protec:	external
Length of cable:	5 m
Type of cable plug:	NONE
Others:	
Net weight:	11.9 kg
Gross weight:	13.9 kg
Danish VVS No.:	391273152
Swedish RSK No.:	5885931
Finnish LVI No.:	4822595

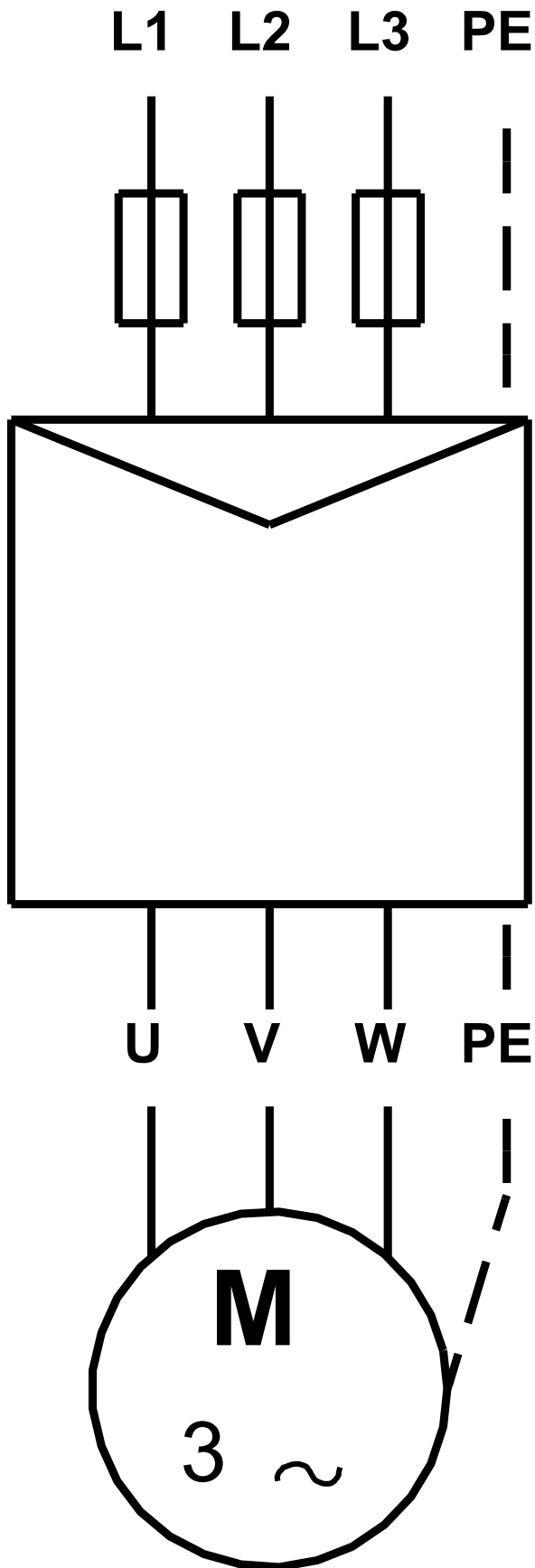


96004609 Unilift AP50B.50.15.3.V 50 Hz



Note! All units are in [mm] unless others are stated.
Disclaimer: This simplified dimensional drawing does not show all details.

96004609 Unilift AP50B.50.15.3.V 50 Hz



Note! All units are in [mm] unless others are stated.