
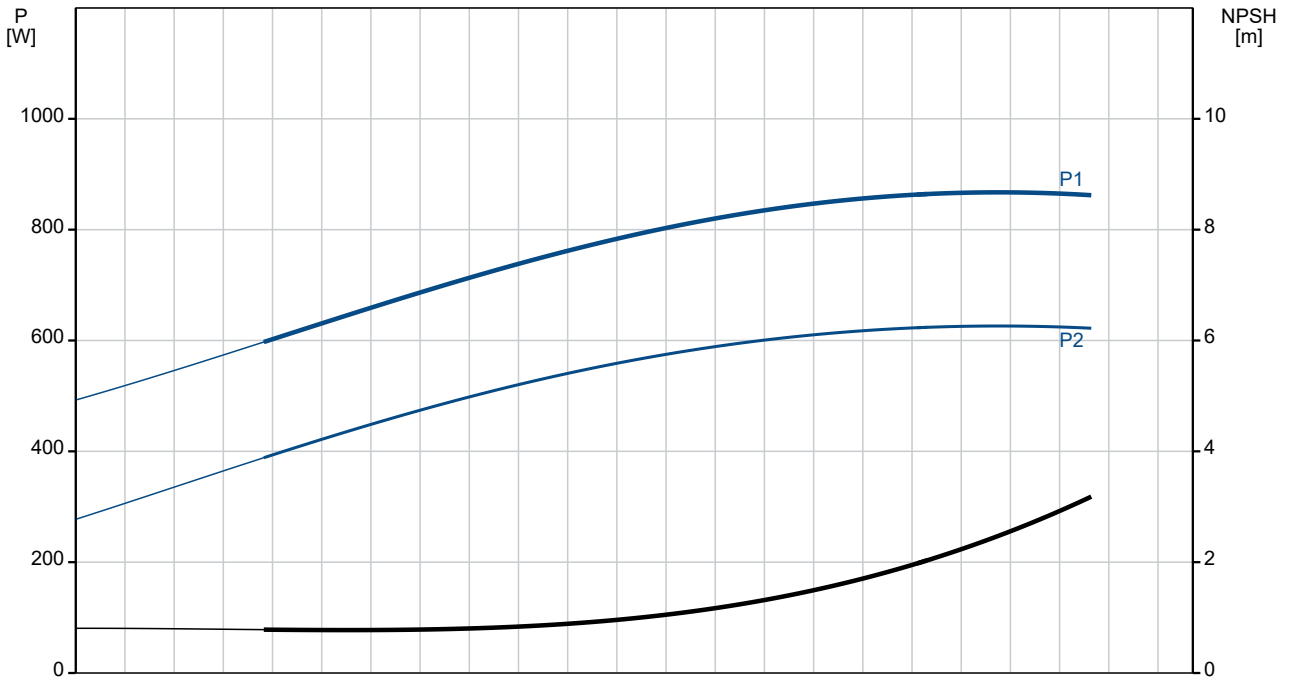
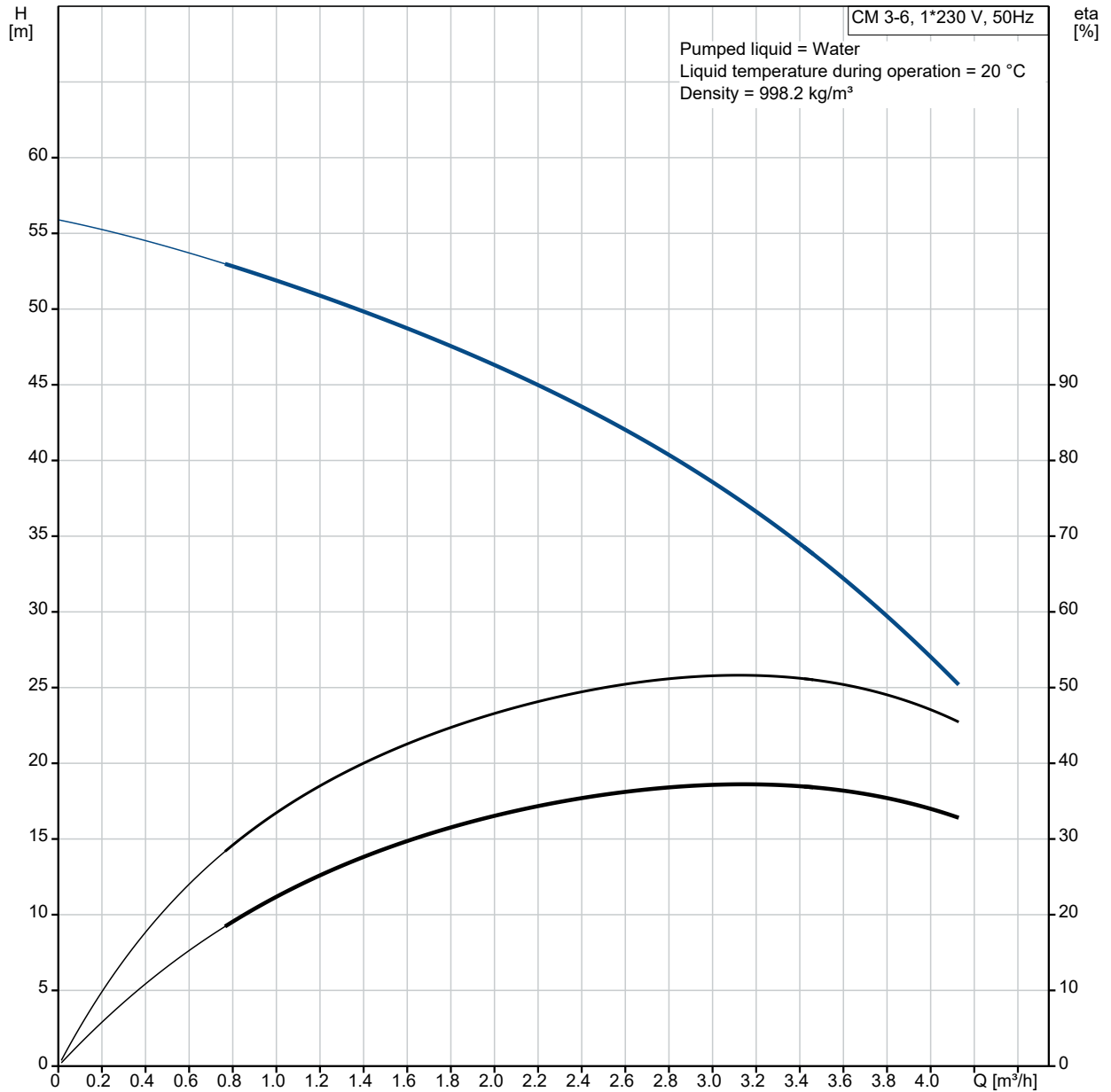


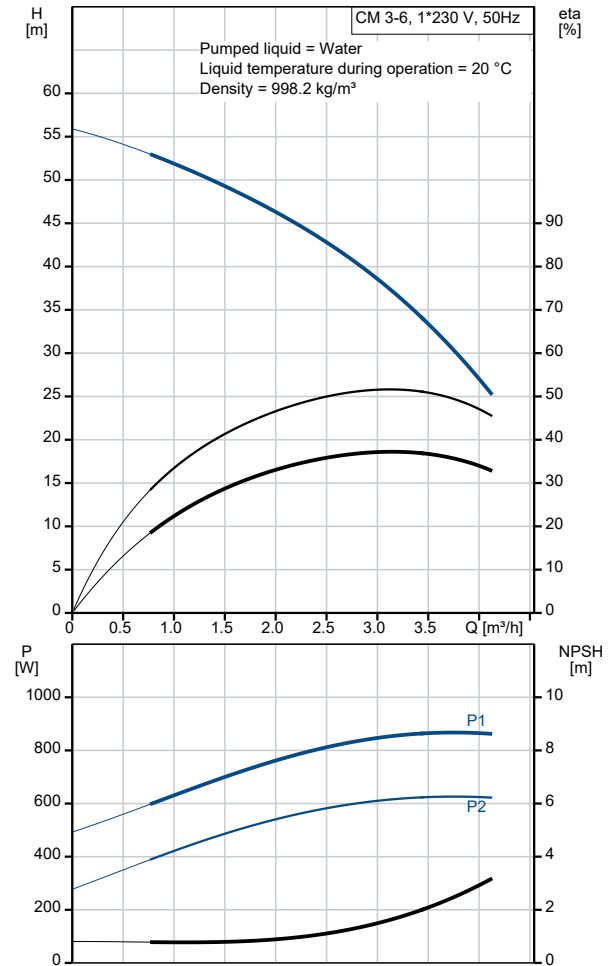
Qty.	Description
1	<p data-bbox="199 161 558 190">CM 3-6 A-R-A-E-AVBE C-A-A-N</p>  <p data-bbox="199 481 470 510">Product No.: 96806805</p> <p data-bbox="199 542 1436 645">Compact, reliable, horizontal, multistage, end-suction centrifugal pump with axial suction port and radial discharge port. The shaft, impellers and chambers are made of stainless steel. The inlet and discharge parts are made of cast iron. The mechanical shaft seal is a special designed, unbalanced O-ring seal. Pipework connection is via internal Whitworth pipe threads, Rp (ISO 7/1).</p> <p data-bbox="199 654 1077 683">The pump is fitted with a 1-phase, foot-mounted, fan-cooled asynchronous motor.</p> <p data-bbox="199 714 303 743">Controls:</p> <p data-bbox="199 743 638 772">Frequency converter: NONE</p> <p data-bbox="199 804 279 833">Liquid:</p> <p data-bbox="199 833 638 862">Pumped liquid: Water</p> <p data-bbox="199 862 694 891">Liquid temperature range: -20 .. 90 °C</p> <p data-bbox="199 891 630 920">Selected liquid temperature: 20 °C</p> <p data-bbox="199 920 694 949">Density: 998.2 kg/m³</p> <p data-bbox="199 981 311 1010">Technical:</p> <p data-bbox="199 1010 821 1039">Pump speed on which pump data are based: 2900 rpm</p> <p data-bbox="199 1039 662 1068">Rated flow: 3.1 m³/h</p> <p data-bbox="199 1068 662 1097">Rated head: 41.81 m</p> <p data-bbox="199 1097 630 1126">Code for shaft seal: AVBE</p> <p data-bbox="199 1126 790 1155">Approvals: CE,WRAS,ACS,EAC</p> <p data-bbox="199 1155 758 1184">Curve tolerance: ISO9906:2012 3B</p> <p data-bbox="199 1216 311 1245">Materials:</p> <p data-bbox="199 1245 742 1332">Pump housing: Cast iron EN-GJL-200 ASTM A48-25A</p> <p data-bbox="199 1332 726 1420">Impeller: Stainless steel EN 1.4301 AISI 304</p> <p data-bbox="199 1451 327 1480">Installation:</p> <p data-bbox="199 1480 694 1509">Range of ambient temperature: -20 .. 55 °C</p> <p data-bbox="199 1509 638 1538">Maximum operating pressure: 10 bar</p> <p data-bbox="199 1538 718 1603">Max pressure at stated temp: 10 bar / 40 °C 6 bar / 90 °C</p> <p data-bbox="199 1603 598 1632">Type of connection: Rp</p> <p data-bbox="199 1632 630 1662">Size of inlet connection: 1 inch</p> <p data-bbox="199 1662 630 1691">Size of outlet connection: 1 inch</p> <p data-bbox="199 1691 598 1720">Outlet position: 12</p> <p data-bbox="199 1751 359 1780">Electrical data:</p> <p data-bbox="199 1780 614 1809">Motor standard: IEC</p> <p data-bbox="199 1809 614 1839">Frame size: 80A</p> <p data-bbox="199 1839 662 1868">Rated power - P2: 0.67 kW</p> <p data-bbox="199 1868 630 1897">Mains frequency: 50 Hz</p> <p data-bbox="199 1897 582 1926">Suitable for 50/60 Hz: N</p> <p data-bbox="199 1926 582 1955">Phases: 1</p> <p data-bbox="199 1955 702 1984">Rated voltage: 220-240 V V</p> <p data-bbox="199 1984 614 2013">Service factor: 1.00</p> <p data-bbox="199 2013 670 2042">Rated current: 4.4-4.0 A</p> <p data-bbox="199 2042 686 2072">Starting current: 390-390 %</p>

Qty.	Description
	Rated speed: 2720-2800 rpm
	Enclosure class (IEC 34-5): IP55
	Insulation class (IEC 85): F
	Built-in motor protection: PTO
	Cable included (Yes/No): N
	Others:
	Terminal box position: 12
	Minimum efficiency index, MEI ≥: 0.7
	Net weight: 14.2 kg
	Gross weight: 16.7 kg

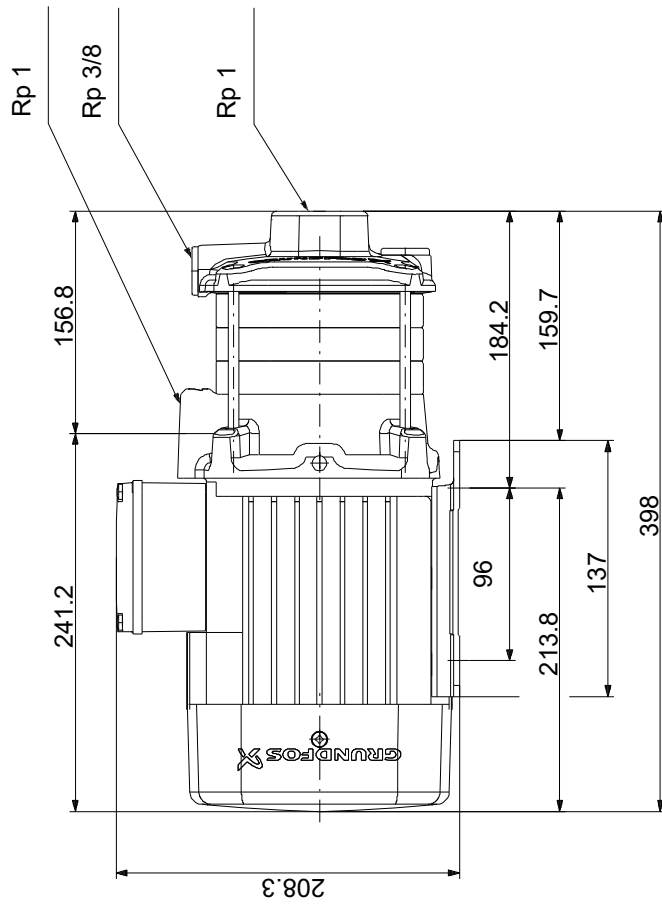
96806805 CM 3-6 A-R-A-E-AVBE C-A-A-N 50 Hz



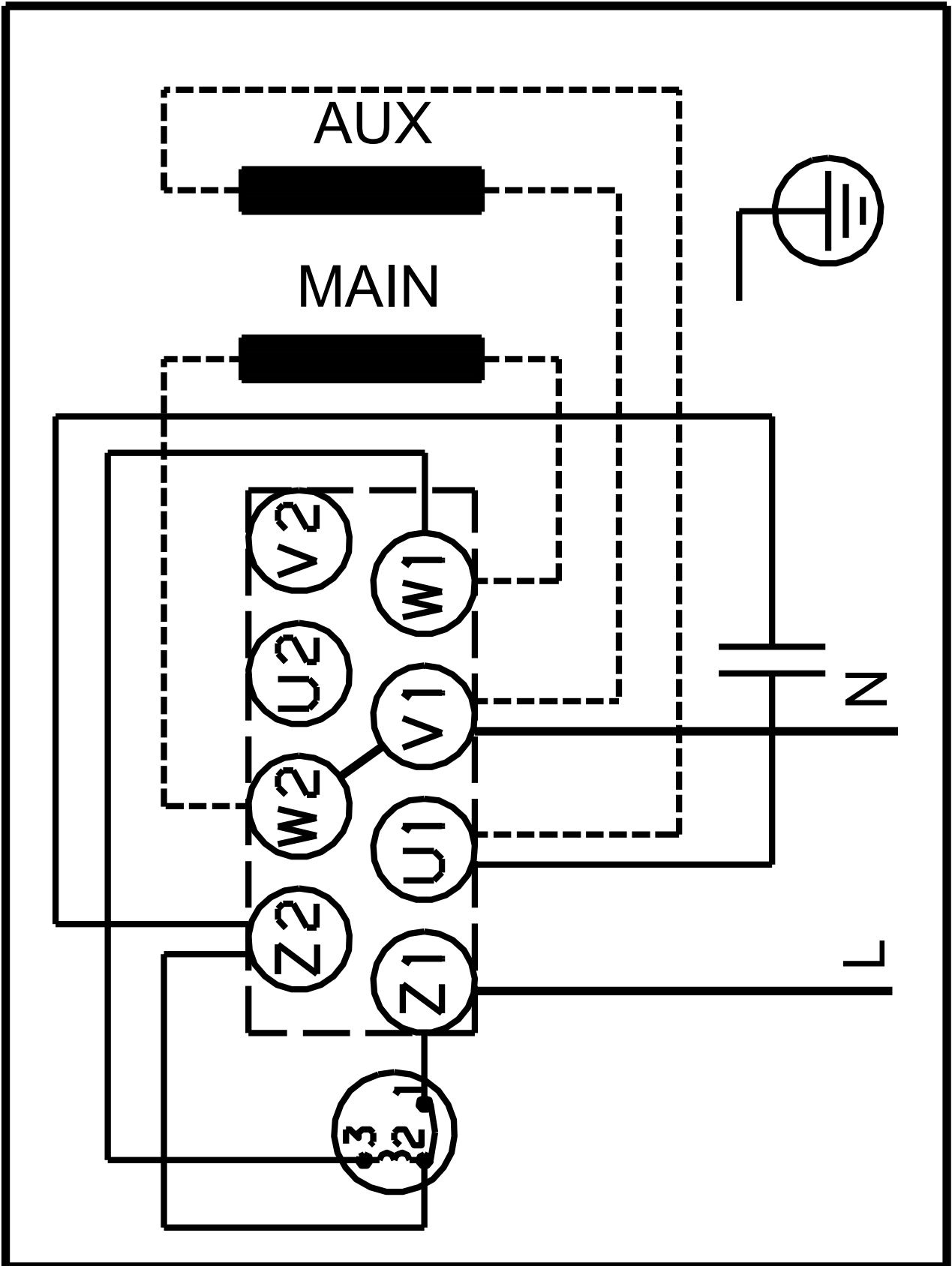
Description	Value
General information:	
Product name:	CM 3-6 A-R-A-E-AVBE C-A-A-N
Product No:	96806805
EAN number:	5700310917528
Price:	
Technical:	
Pump speed on which pump data are based:	2900 rpm
Rated flow:	3.1 m ³ /h
Rated head:	41.81 m
Impellers:	6
Code for shaft seal:	AVBE
Approvals:	CE,WRAS,ACS,EAC
Curve tolerance:	ISO9906:2012 3B
Pump version:	A
Model:	A
Materials:	
Pump housing:	Cast iron
Pump housing:	EN-GJL-200
Pump housing:	ASTM A48-25A
Impeller:	Stainless steel
Impeller:	EN 1.4301
Impeller:	AISI 304
Material code:	A
Code for rubber:	E
Installation:	
Range of ambient temperature:	-20 .. 55 °C
Maximum operating pressure:	10 bar
Max pressure at stated temp:	10 bar / 40 °C
Max pressure at stated temp:	6 bar / 90 °C
Type of connection:	Rp
Size of inlet connection:	1 inch
Size of outlet connection:	1 inch
Outlet position:	12
Connect code:	R
Liquid:	
Pumped liquid:	Water
Liquid temperature range:	-20 .. 90 °C
Selected liquid temperature:	20 °C
Density:	998.2 kg/m ³
Electrical data:	
Motor standard:	IEC
Frame size:	80A
Rated power - P2:	0.67 kW
Mains frequency:	50 Hz
Suitable for 50/60 Hz:	N
Phases:	1
Rated voltage:	220-240 V V
Service factor:	1.00
Rated current:	4.4-4.0 A
Starting current:	390-390 %
Rated speed:	2720-2800 rpm
Enclosure class (IEC 34-5):	IP55
Insulation class (IEC 85):	F
Built-in motor protection:	PTO
Cable included (Yes/No):	N
Controls:	
Frequency converter:	NONE
Others:	
Terminal box position:	12
Minimum efficiency index, MEI ≥:	0.7
Net weight:	14.2 kg
Gross weight:	16.7 kg



96806805 CM 3-6 A-R-A-E-AVBE C-A-A-N 50 Hz



Note! All units are in [mm] unless others are stated.
 Disclaimer: This simplified dimensional drawing does not show all details.



Note! All units are in [mm] unless others are stated.