
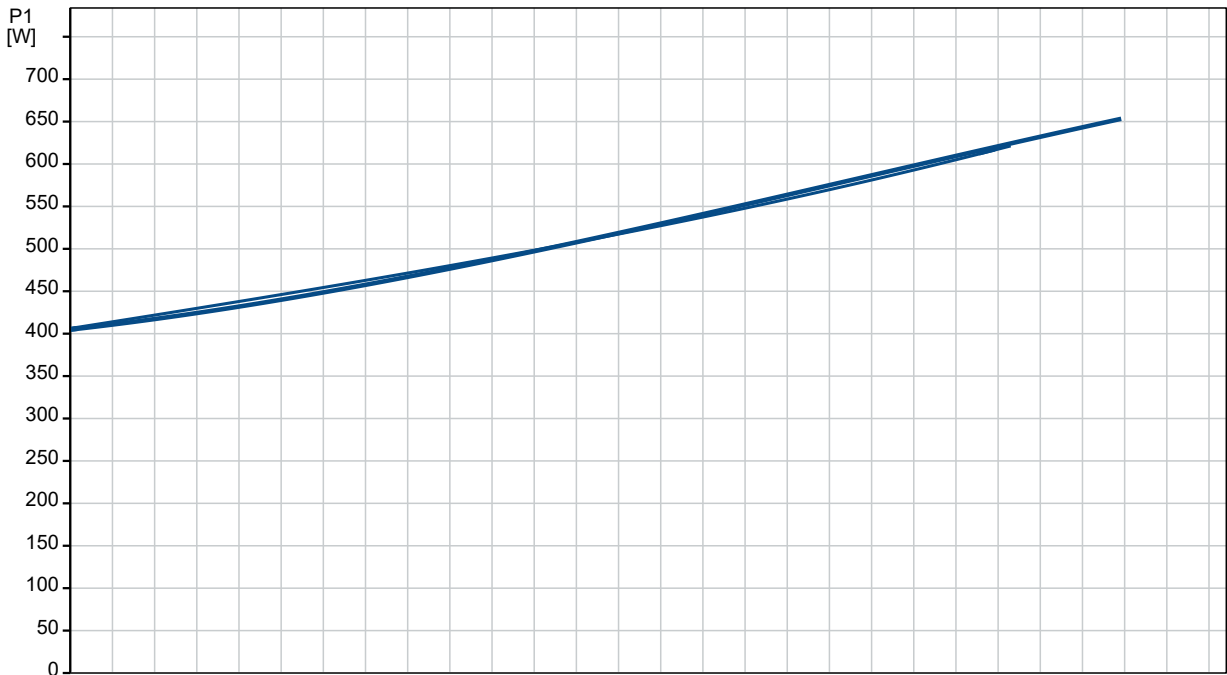
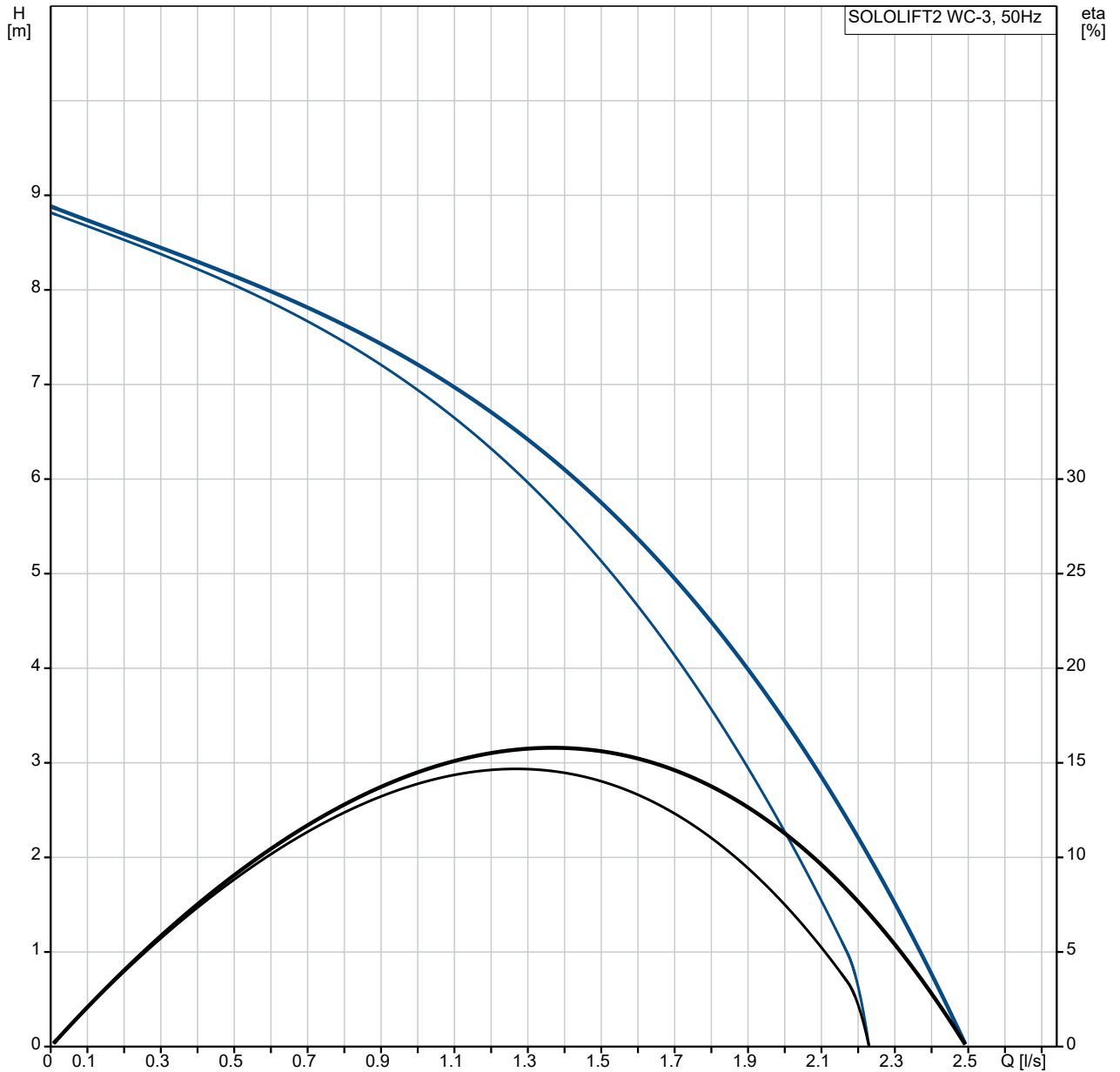


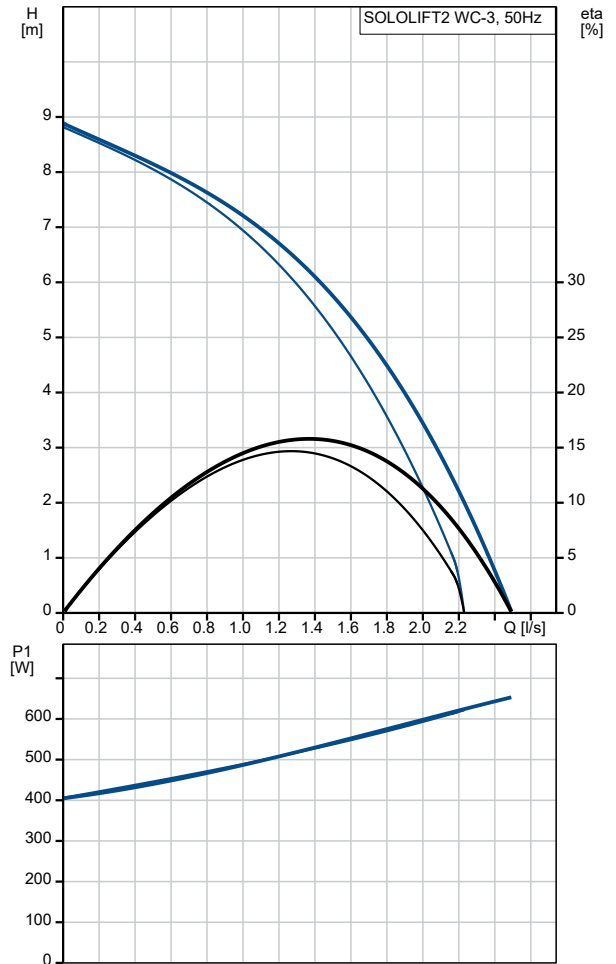
Qty.	Description
1	<p data-bbox="199 161 406 190">SOLOLIFT2 WC-3</p>  <p data-bbox="590 571 1061 600">Note! Product picture may differ from actual product</p> <p data-bbox="199 604 470 633">Product No.: 97775315</p> <p data-bbox="199 660 1420 716">Sololift2 WC-3 is a small, compact automatic lifting station suitable for pumping of wastewater off places in private dwellings where wastewater cannot be led directly to the sewer by means of a natural downward slope.</p> <p data-bbox="199 750 1396 806">Sololift2 WC-3 is suitable for pumping wastewater from a toilet containing toilet paper and faeces with additional connections on the lid and to the sides of the tank for e.g. washbasin, shower or bidet.</p> <p data-bbox="199 840 1260 869">The pumping of liquids containing other material may cause faults and limit the scope of guarantee.</p> <p data-bbox="199 896 662 925">Sololift2 WC-3 is typically used to dewater:</p> <ul data-bbox="199 929 1428 1008" style="list-style-type: none"> • toilet, washbasin, shower and bidet in basements below sewer level, in connection with the renovation or modernisation of existing buildings, where the location may be remote from the main soil pipe so that a natural slope cannot be established. <p data-bbox="199 1019 1412 1064">Extremely low switching levels for lowest construction heights, advantageously in case of connection of a shower receptor.</p> <p data-bbox="199 1108 662 1137">The compact lifting station is equipped with</p> <ul data-bbox="231 1131 1412 1456" style="list-style-type: none"> - Cable with or without plug (see technical data) - Horizontal or vertical possibility of discharge hose connector with several adaptors for pipes with Ø22-40mm -Integrated non return valve <ul style="list-style-type: none"> - Dry and high performance motor unit incl. thermal protection, pressure switch and controller - DN100 toilet connection hose - Two flexible connectors for inlet (adjustable in height) of pipes Ø36 or 40 - Slot for an alarm board with buzzer (accessory) - Manual anti clogging function and separate drain connection for service - Venting valve with overflow protection - Uplift fixation clips <p data-bbox="199 1489 1460 1545">Design according to EN12050-3 and production inspection by external institute with unique features focused on quick installation, long lasting operation and easy clean service.</p> <p data-bbox="199 1579 1348 1635">Note: The discharge adaptor can be mounted vertical or horizontal. Vertical installation increase the flow (s. databooklet and curves)</p> <p data-bbox="199 1668 694 1758">Liquid: Maximum liquid temperature: 50 °C Density: 998.2 kg/m³</p> <p data-bbox="199 1780 885 1870">Technical: Approvals on nameplate: CE,TR,VDEEMV,VDE,MORO Curve tolerance: ISO9906:2012 3B</p> <p data-bbox="199 1904 638 1960">Materials: Tank: Plastic</p> <p data-bbox="199 1993 861 2105">Installation: Pump inlet: 32/36/40, 36/40/50, DN 100 Pump outlet: 22/25/28/32/36/40 Number of leads: 3X0,75MM2</p>

Qty.	Description
	Electrical data:
	Power input - P1: 620 W
	Mains frequency: 50 Hz
	Rated voltage: 1 x 220-240 V
	Rated current: 3 A
	Cos phi - power factor: 0.92
	Rated speed: 2800 rpm
	Enclosure class (IEC 34-5): IP44
	Insulation class (IEC 85): F
	Length of cable: 1.2 m
	Cable type: H05VV-F-3G
	Type of cable plug: SCHUKO
	Others:
	Net weight: 7.74 kg
	Gross weight: 9.27 kg
	Danish VVS No.: 614363632
	Swedish RSK No.: 5886546
	Finnish LVI No.: 4965313
	Norwegian NRF no.: 9045715

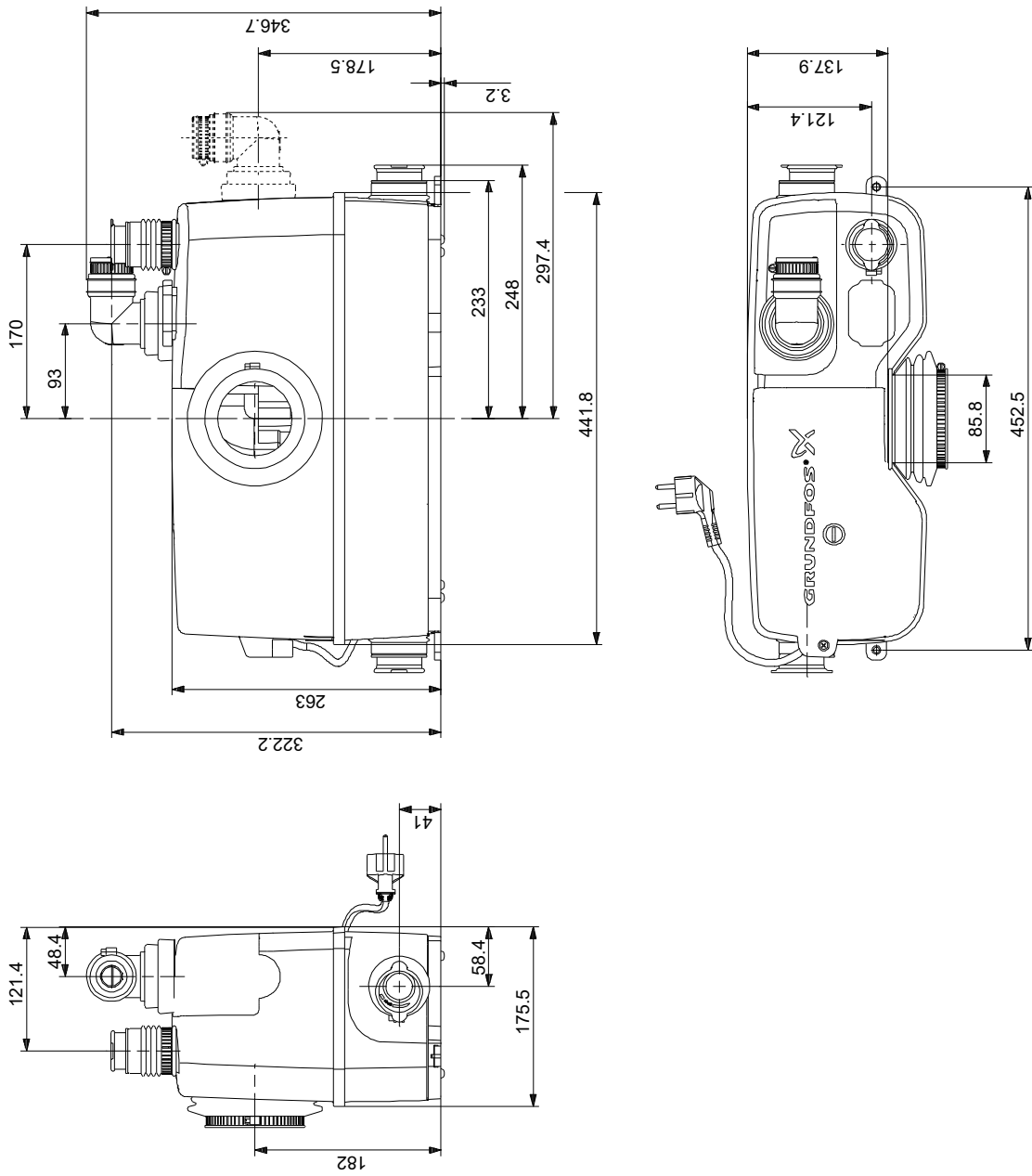
97775315 SOLOLIFT2 WC-3 50 Hz



Description	Value
General information:	
Product name:	SOLOLIFT2 WC-3
Product No:	97775315
EAN number:	5710624187241
Price:	
Technical:	
Head max:	8.5 m
Approvals on nameplate:	CE,TR,VDEEMV,VDE,MORO
Curve tolerance:	ISO9906:2012 3B
Materials:	
Tank:	Plastic
Installation:	
Pump inlet:	32/36/40, 36/40/50, DN 100
Pump outlet:	22/25/28/32/36/40
Number of leads:	3X0,75MM2
Liquid:	
Maximum liquid temperature:	50 °C
Density:	998.2 kg/m ³
Electrical data:	
Power input - P1:	620 W
Mains frequency:	50 Hz
Rated voltage:	1 x 220-240 V
Rated current:	3 A
Cos phi - power factor:	0.92
Rated speed:	2800 rpm
Enclosure class (IEC 34-5):	IP44
Insulation class (IEC 85):	F
Thermal protec:	THERMIK S06-150-05
Length of cable:	1.2 m
Cable type:	H05VV-F-3G
Type of cable plug:	SCHUKO
Others:	
Net weight:	7.74 kg
Gross weight:	9.27 kg
Product range:	International
Danish VVS No.:	614363632
Swedish RSK No.:	5886546
Finnish LVI No.:	4965313
Norwegian NRF no.:	9045715

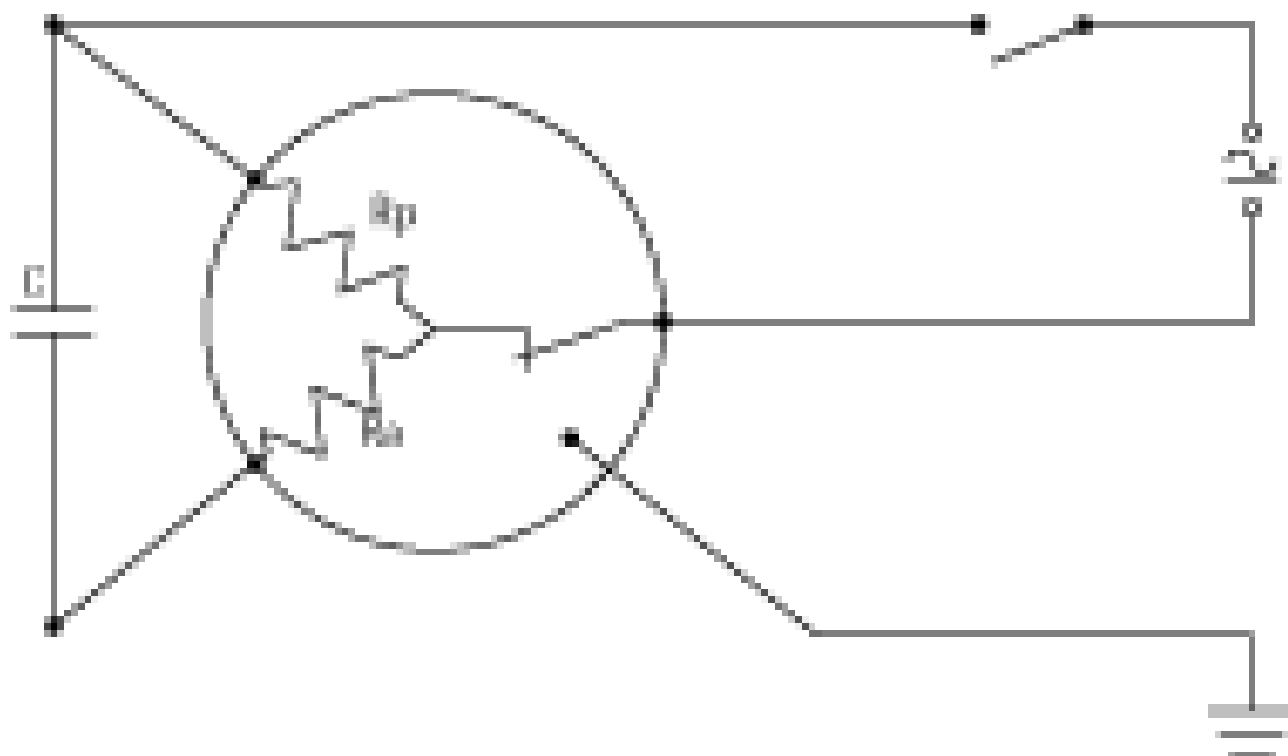


97775315 SOLOLIFT2 WC-3 50 Hz



Note! All units are in [mm] unless others are stated.
 Disclaimer: This simplified dimensional drawing does not show all details.

97775315 SOLOLIFT2 WC-3 50 Hz



Note! All units are in [mm] unless others are stated.