
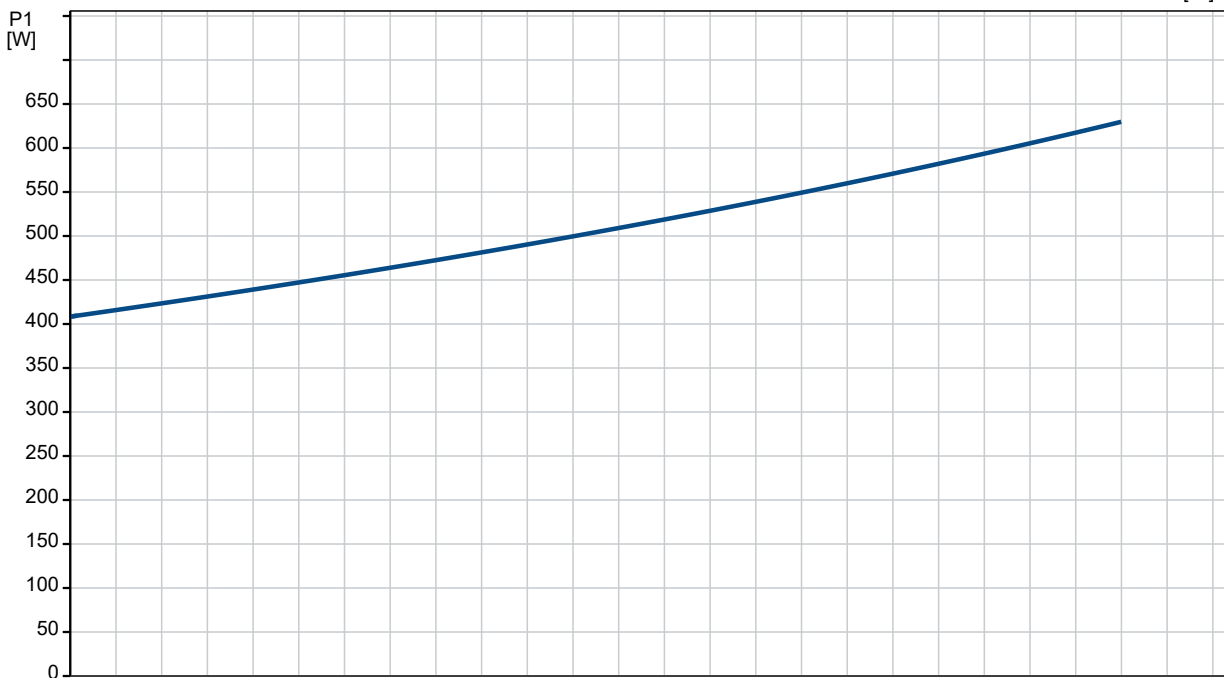
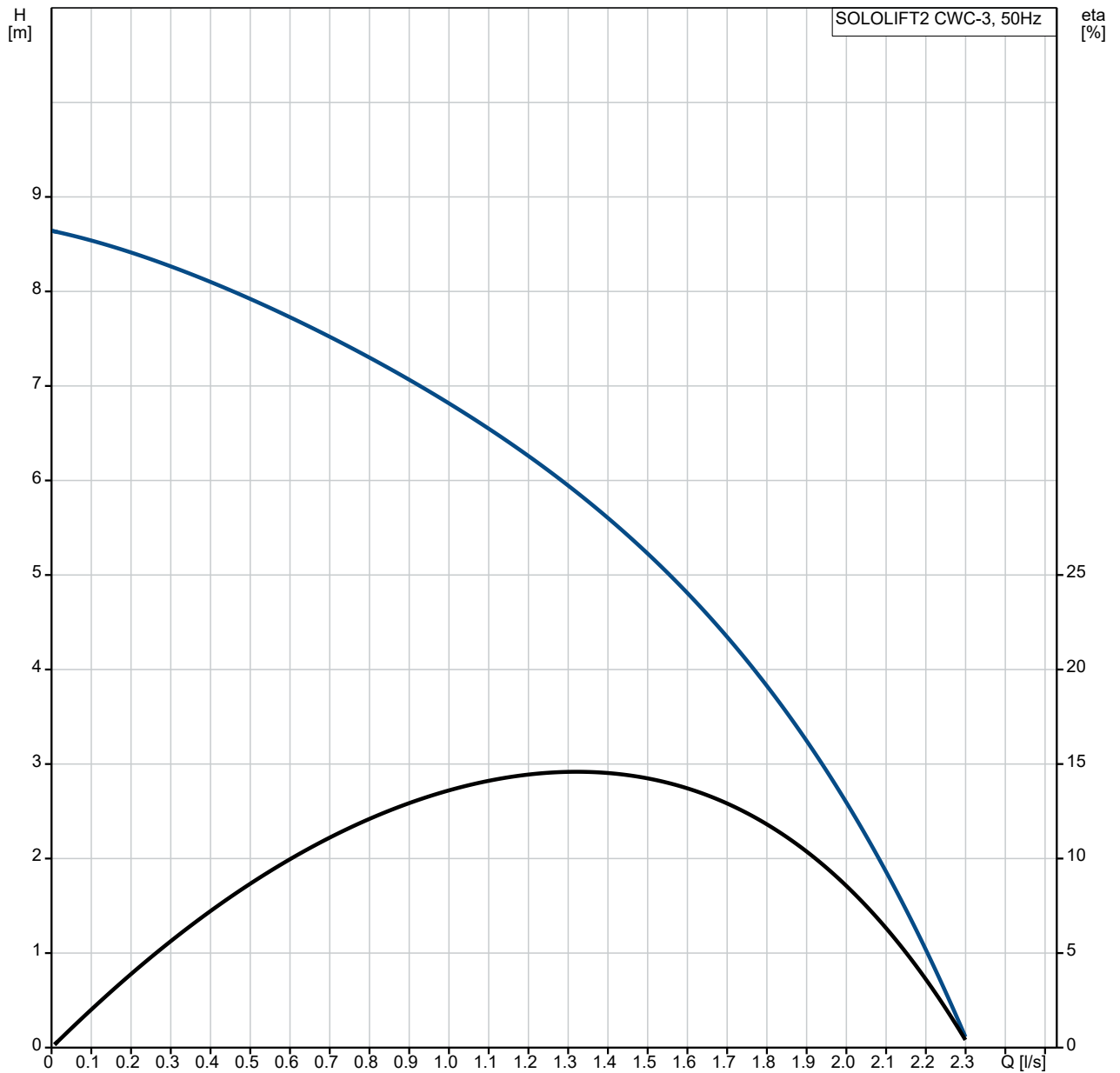


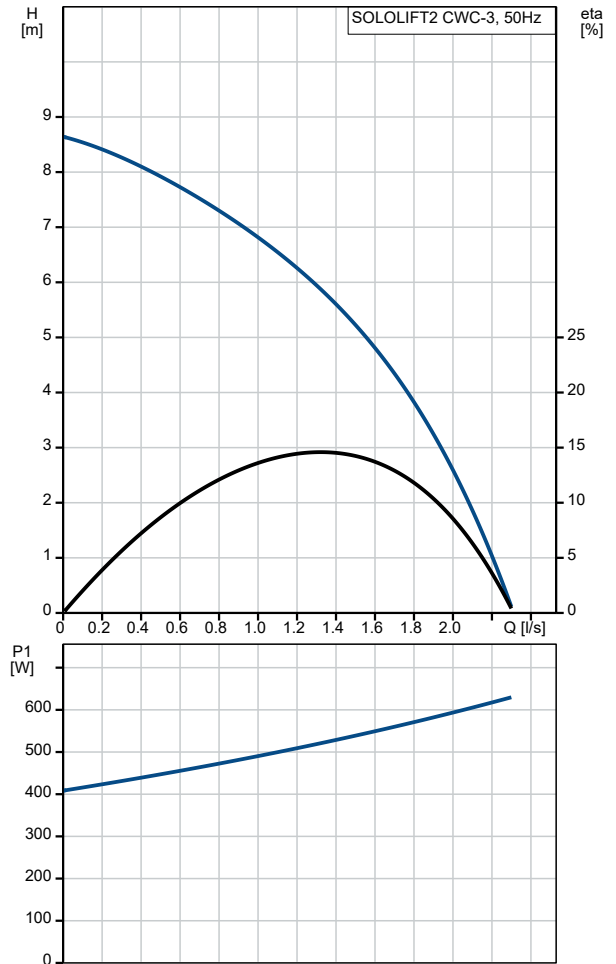
Qty.	Description
1	<p data-bbox="199 161 422 190"><b>SOLOLIFT2 CWC-3</b></p>  <p data-bbox="590 481 1061 504"><b>Note! Product picture may differ from actual product</b></p> <p data-bbox="199 510 470 537">Product No.: <a href="#">9775316</a></p> <p data-bbox="199 571 1436 622">Sololift2 CWC-3 is a small, compact automatic lifting station suitable for pumping of wastewater off places in private dwellings where wastewater cannot be led directly to the sewer by means of a natural downward slope.</p> <p data-bbox="199 627 598 654">Sololift2 CWC-3 is typically used for:</p> <ul data-bbox="199 660 1444 734" style="list-style-type: none"> <li>• wall-hung toilets, cabinet showers and washbasins in basements below sewer level, in connection with the renovation or modernisation of existing buildings, where the location may be remote from the main soil pipe so that a natural slope cannot be established.</li> </ul> <p data-bbox="199 743 1412 795">Extremely low switching levels for lowest construction heights, advantageously in case of connection of a shower receptor.</p> <p data-bbox="199 801 1109 828">Sololift2 CWC-3 is suitable for installation in a hollow space behind a wall-hung toilet.</p> <p data-bbox="199 835 1452 887">This lifting station is only suitable for pumping wastewater from a cabinet shower and a washbasin as well as sewage water from a toilet containing toilet paper and faeces.</p> <p data-bbox="199 893 1300 920">The pumping of liquids containing other material may cause faults and limit the scope of our guarantee.</p> <p data-bbox="199 927 662 954">The compact lifting station is equipped with</p> <ul data-bbox="231 960 1412 1272" style="list-style-type: none"> <li>- Cable with or without plug (see technical data)</li> <li>- Horizontal or vertical fastening possibility of discharge hose connector with several adaptors for pipes with Ø22-40mm</li> <li>- integrated non return valve</li> <li>- Dry and high performance motor unit incl. thermal protection, pressure switch and controller</li> <li>- DN100 toilet connection hose</li> <li>- Flexible connectors for inlet (adjustable in height) of pipes Ø36 or 40</li> <li>- Slot for an alarm board with buzzer (accessory)</li> <li>- Manual anti clogging function and separate drain connection for service</li> <li>- Venting valve with overflow protection</li> <li>- Uplift fixation clips</li> </ul> <p data-bbox="199 1303 1452 1355">Design according to EN12050-3 and production inspection by external institute with unique features focused on quick installation, long lasting operation and easy clean service.</p> <p data-bbox="199 1393 279 1420">Liquid:</p> <p data-bbox="199 1426 630 1453">Maximum liquid temperature: 50 °C</p> <p data-bbox="199 1460 694 1487">Density: 998.2 kg/m<sup>3</sup></p> <p data-bbox="199 1516 311 1543">Technical:</p> <p data-bbox="199 1550 885 1576">Approvals on nameplate: CE,TR,VDEEMV,VDE,MORO</p> <p data-bbox="199 1583 758 1610">Curve tolerance: ISO9906:2012 3B</p> <p data-bbox="199 1639 311 1666">Materials:</p> <p data-bbox="199 1673 638 1700">Tank: Plastic</p> <p data-bbox="199 1729 327 1756">Installation:</p> <p data-bbox="199 1762 861 1789">Pump inlet: 32/36/40, 36/40/50, DN 100</p> <p data-bbox="199 1796 758 1823">Pump outlet: 22/25/28/32/36/40</p> <p data-bbox="199 1830 694 1856">Number of leads: 3X0,75MM2</p> <p data-bbox="199 1886 359 1912">Electrical data:</p> <p data-bbox="199 1919 638 1946">Power input - P1: 620 W</p> <p data-bbox="199 1953 630 1980">Mains frequency: 50 Hz</p> <p data-bbox="199 1986 718 2013">Rated voltage: 1 x 220-240 V</p> <p data-bbox="199 2020 598 2047">Rated current: 3 A</p> <p data-bbox="199 2054 614 2080">Cos phi - power factor: 0.92</p> <p data-bbox="199 2087 670 2114">Rated speed: 2800 rpm</p> <p data-bbox="199 2121 614 2148">Enclosure class (IEC 34-5): IP44</p>

Qty.	Description
	Insulation class (IEC 85): F Length of cable: 1.2 m Cable type: H05VV-F-3G Type of cable plug: SCHUKO
	Others: Net weight: 8.09 kg Gross weight: 9.69 kg Danish VVS No.: 614364632 Swedish RSK No.: 5885483 Finnish LVI No.: 4965314 Norwegian NRF no.: 9045712

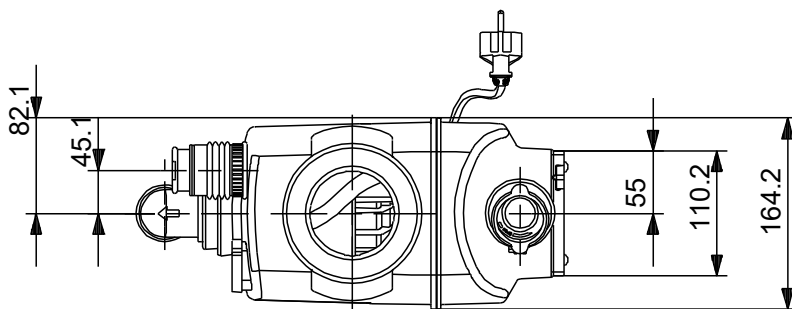
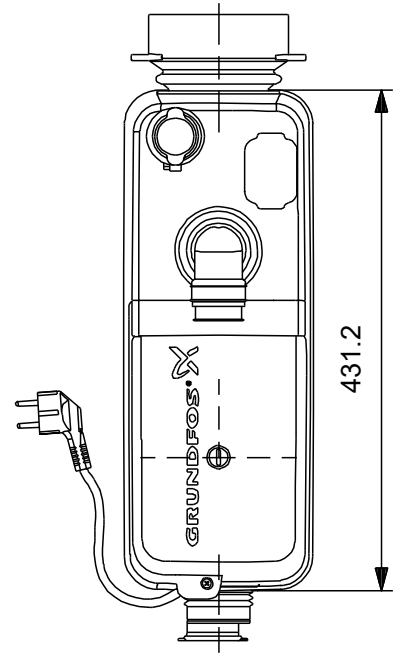
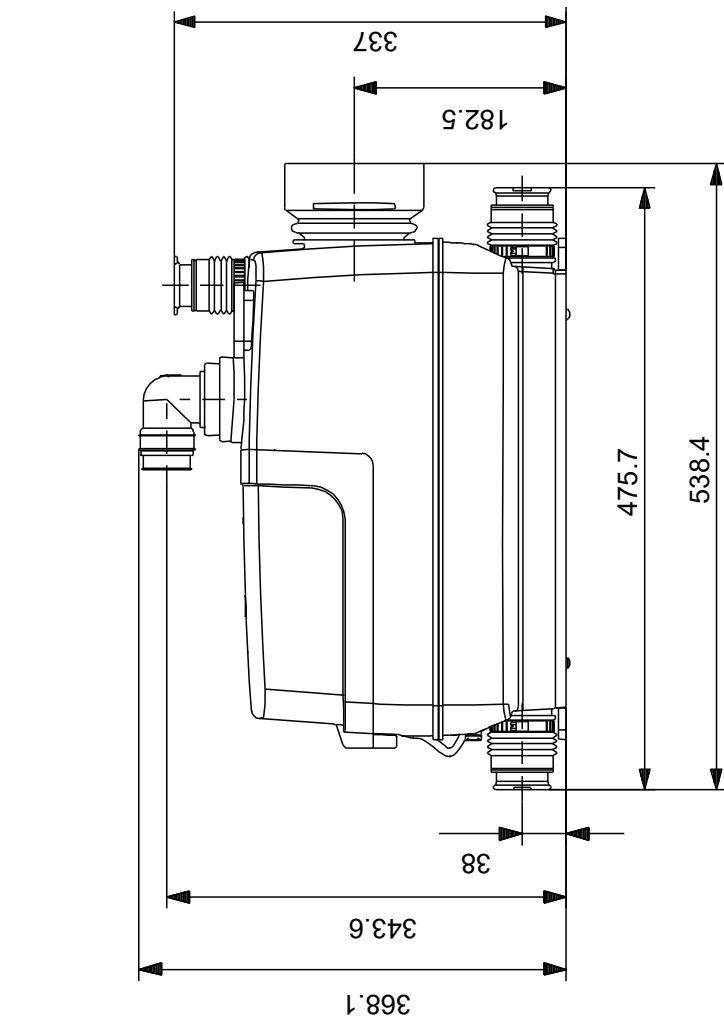
# 97775316 SOLOLIFT2 CWC-3 50 Hz



Description	Value
<b>General information:</b>	
Product name:	SOLOLIFT2 CWC-3
Product No:	97775316
EAN number:	5710624187258
Price:	
<b>Technical:</b>	
Head max:	8.5 m
Approvals on nameplate:	CE,TR,VDEEMV,VDE,MORO
Curve tolerance:	ISO9906:2012 3B
<b>Materials:</b>	
Tank:	Plastic
<b>Installation:</b>	
Pump inlet:	32/36/40, 36/40/50, DN 100
Pump outlet:	22/25/28/32/36/40
Number of leads:	3X0,75MM2
<b>Liquid:</b>	
Maximum liquid temperature:	50 °C
Density:	998.2 kg/m <sup>3</sup>
<b>Electrical data:</b>	
Power input - P1:	620 W
Mains frequency:	50 Hz
Rated voltage:	1 x 220-240 V
Rated current:	3 A
Cos phi - power factor:	0.92
Rated speed:	2800 rpm
Enclosure class (IEC 34-5):	IP44
Insulation class (IEC 85):	F
Thermal protec:	THERMIK S06-150-05
Length of cable:	1.2 m
Cable type:	H05VV-F-3G
Type of cable plug:	SCHUKO
<b>Others:</b>	
Net weight:	8.09 kg
Gross weight:	9.69 kg
Product range:	International
Danish VVS No.:	614364632
Swedish RSK No.:	5885483
Finnish LVI No.:	4965314
Norwegian NRF no.:	9045712

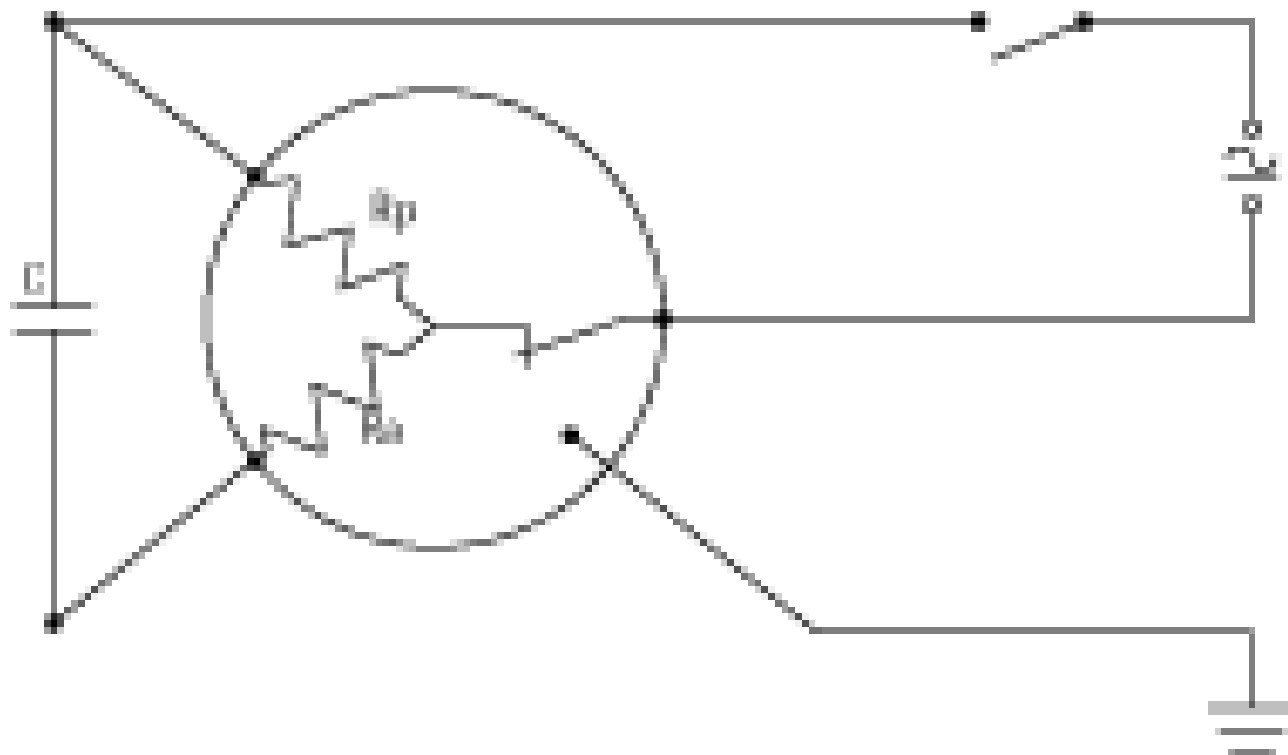


# 97775316 SOLOLIFT2 CWC-3 50 Hz



Note! All units are in [mm] unless others are stated.  
 Disclaimer: This simplified dimensional drawing does not show all details.

# 97775316 SOLOLIFT2 CWC-3 50 Hz



Note! All units are in [mm] unless others are stated.