

**Qty. Description**1 **UPS2 32-80 180**

**Note! Product picture may differ from actual product**

Product No.: [98707855](#)

High-efficiency circulator pump with permanent-magnet motor (ECM technology) fit for the ErP directive No 641/2009 due to continuously variable speed control for circulation of clean heating water according to VDI 2035.

Features and benefits: UPS2 32-80 180

High-efficiency circulator pump with permanent-magnet motor (ECM technology) complying with the ErP directive No 641/2009 thanks to continuously variable speed control. Suitable for circulation of clean heating water according to VDI 2035.

Features and benefits:

- Complying with requirements of the ErP directive as from 2015.
- 1 pump replaces 3 variants.
- It is available as pump head without pump housing. Fits on all 4-m, 5-m and 6-m pump housings of the Series 100.
- For tight installations, i.e. in boiler applications.
- High energy savings thanks to an energy efficiency index (EEI) lower than 0.23.
- Complies with the German regulation on energy saving in buildings and building systems – Energieeinsparverordnung – EnEV §14(3).
- One button for simple selection among three proportional-pressure curves or three fixed speeds.
- No corrosion issues thanks to the electrocoated pump housing.
- Reduced installation costs as no external motor protection is required.

Liquid:

Pumped liquid: Water  
 Liquid temperature range: 2 .. 95 °C  
 Selected liquid temperature: 60 °C  
 Density: 983.2 kg/m<sup>3</sup>

Technical:

TF class: 95  
 Approvals on nameplate: CE,WEEE

Materials:

Pump housing: Cast iron  
 EN-JL1020  
 ASTM ASTM A48-25B  
 Impeller: Composite, PES/PP

Installation:

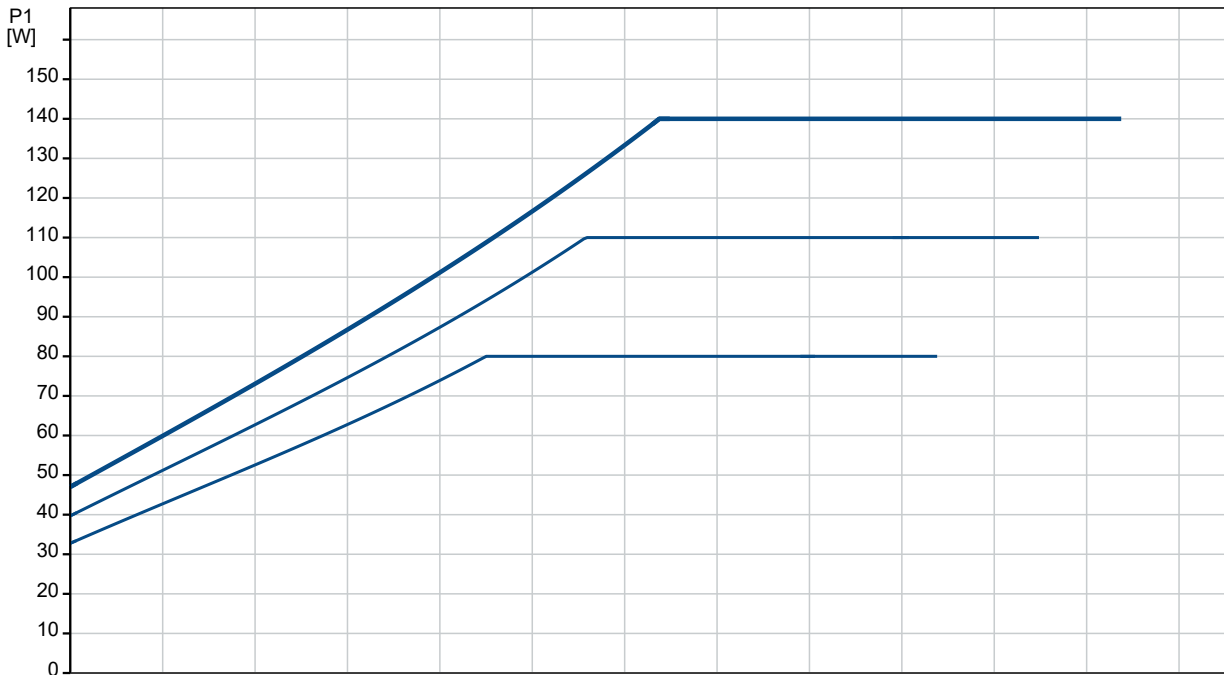
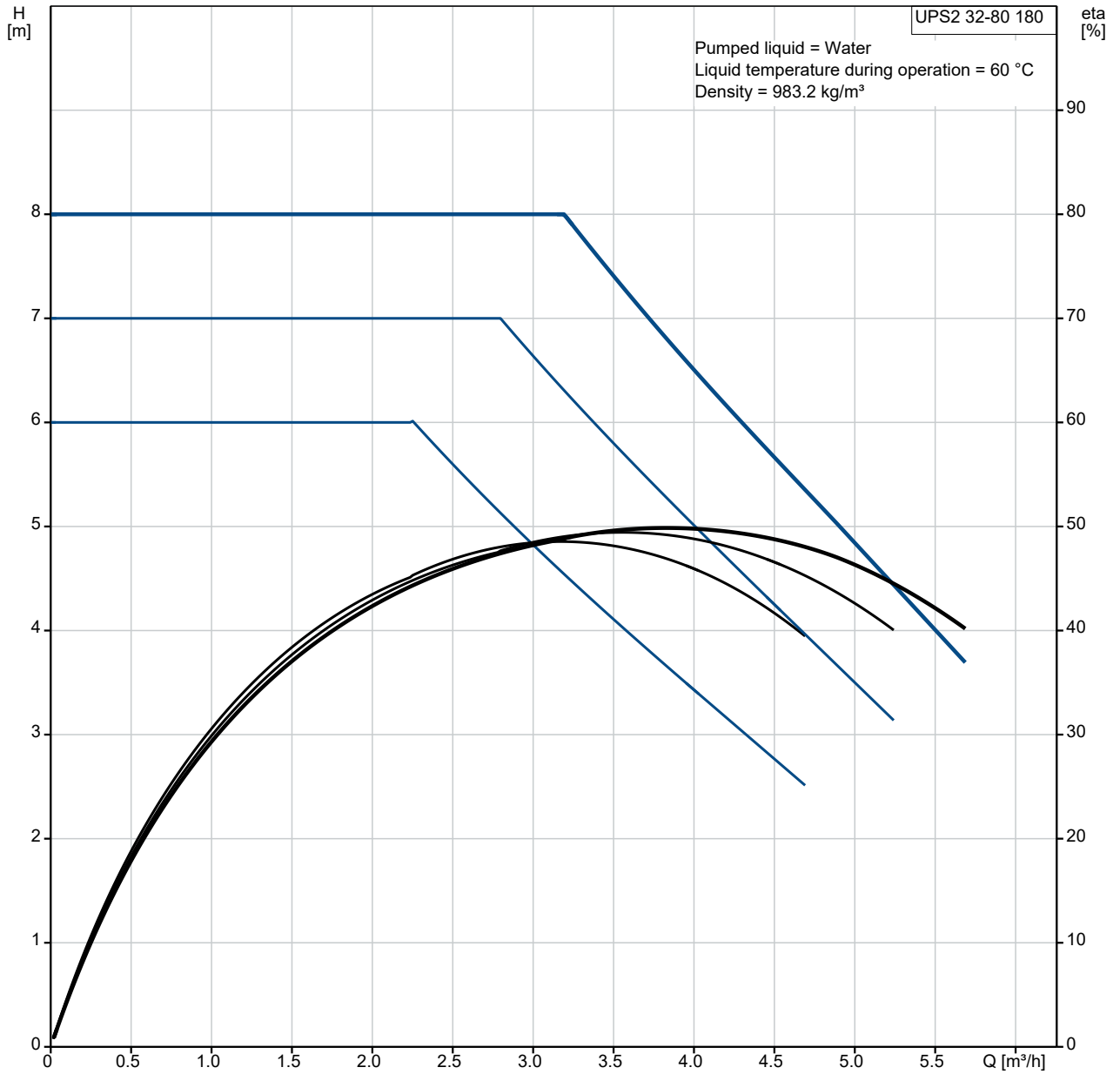
Maximum operating pressure: 10 bar  
 Pipe connection: G 2  
 Pressure rating: PN 10  
 Port-to-port length: 180 mm

Electrical data:

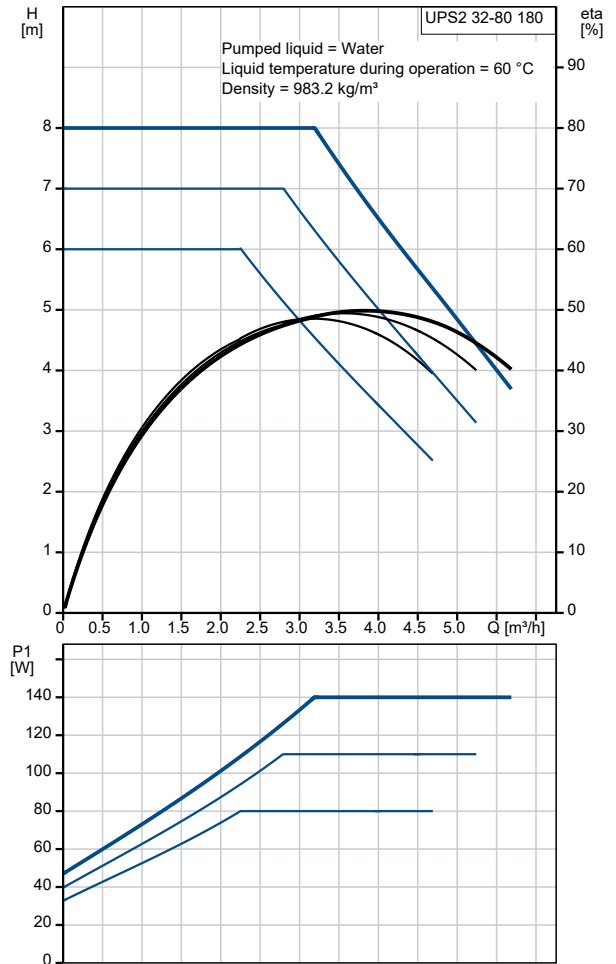
Power input - P1: 140 W  
 Mains frequency: 50 / 60 Hz  
 Rated voltage: 1 x 230 V  
 Maximum current consumption: 0.1 .. 1.1 A

Qty.	Description
	<p data-bbox="193 152 558 190">Enclosure class (IEC 34-5):</p> <p data-bbox="558 152 1481 190">X2D</p> <p data-bbox="193 190 558 228">Insulation class (IEC 85):</p> <p data-bbox="558 190 1481 228">F</p>

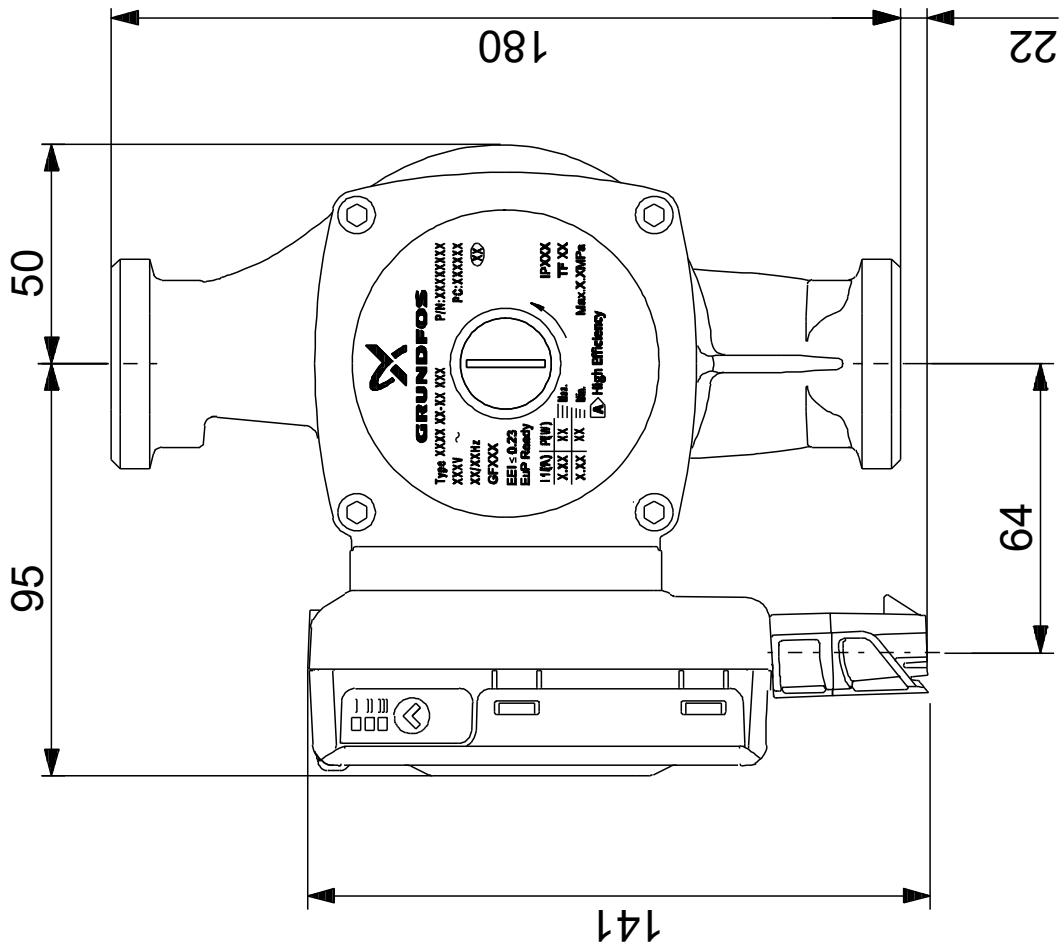
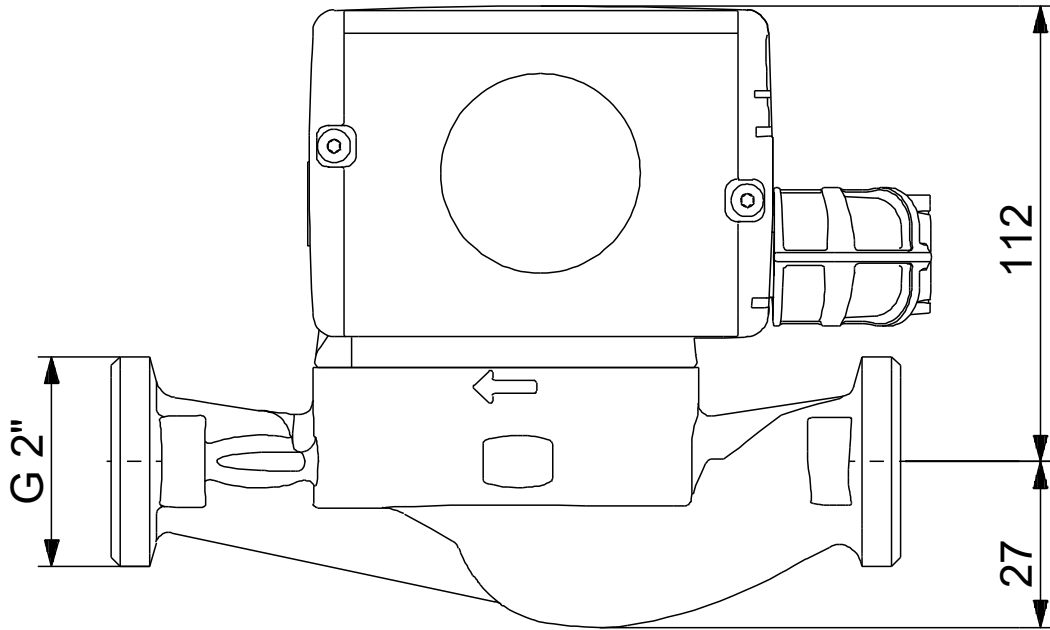
# 98707855 UPS2 32-80 180



Description	Value
<b>General information:</b>	
Product name:	UPS2 32-80 180
Product No:	98707855
EAN number:	5712600252028
Price:	
<b>Technical:</b>	
Head max:	80 dm
TF class:	95
Approvals on nameplate:	CE,WEEE
<b>Materials:</b>	
Pump housing:	Cast iron
Pump housing:	EN-JL1020
Pump housing:	ASTM ASTM A48-25B
Impeller:	Composite, PES/PP
<b>Installation:</b>	
Maximum operating pressure:	10 bar
Pipe connection:	G 2
Pressure rating:	PN 10
Port-to-port length:	180 mm
<b>Liquid:</b>	
Pumped liquid:	Water
Liquid temperature range:	2 .. 95 °C
Selected liquid temperature:	60 °C
Density:	983.2 kg/m <sup>3</sup>
<b>Electrical data:</b>	
Power input - P1:	140 W
Mains frequency:	50 / 60 Hz
Rated voltage:	1 x 230 V
Maximum current consumption:	0.1 .. 1.1 A
Enclosure class (IEC 34-5):	X2D
Insulation class (IEC 85):	F
Motor protec:	NONE
Thermal protec:	ELEC
<b>Controls:</b>	
Pos term box:	9H
<b>Others:</b>	
Energy (EEI):	0.23
Net weight:	2.85 kg
Gross weight:	2.86 kg
Shipping volume:	0.005 m <sup>3</sup>
Finnish LVI No.:	4615176

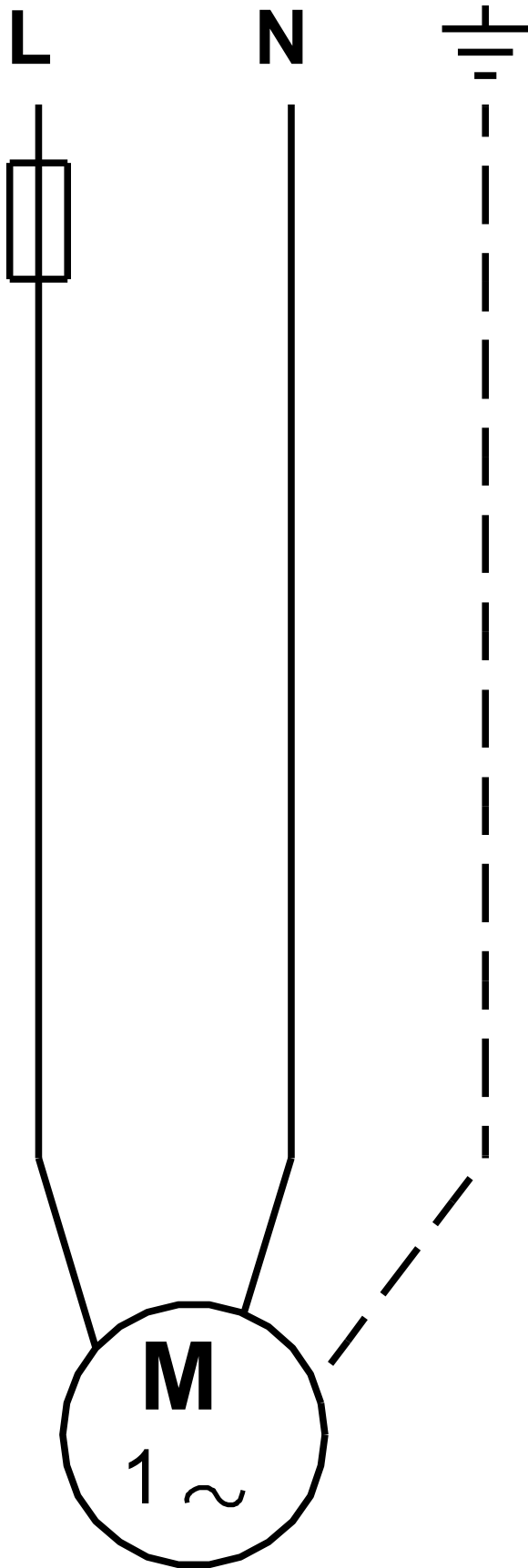


# 98707855 UPS2 32-80 180



Note! All units are in [mm] unless others are stated.  
 Disclaimer: This simplified dimensional drawing does not show all details.

98707855 UPS2 32-80 180



Note! All units are in [mm] unless others are stated.