
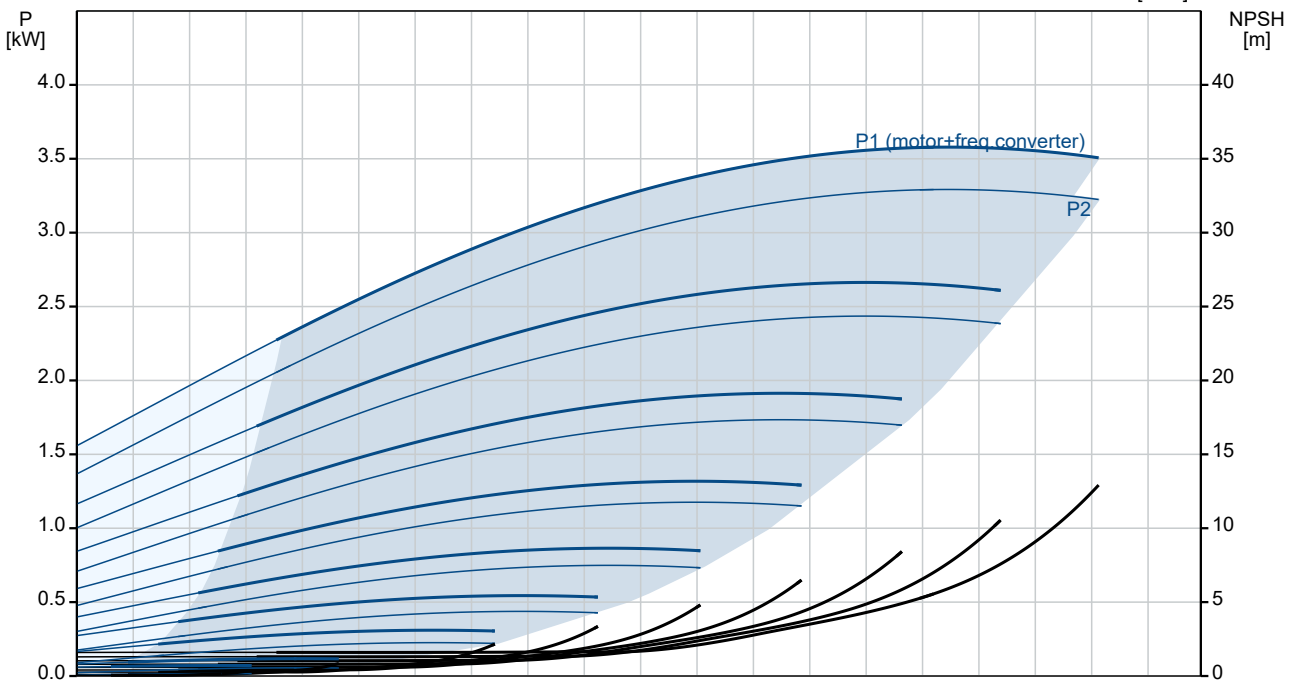
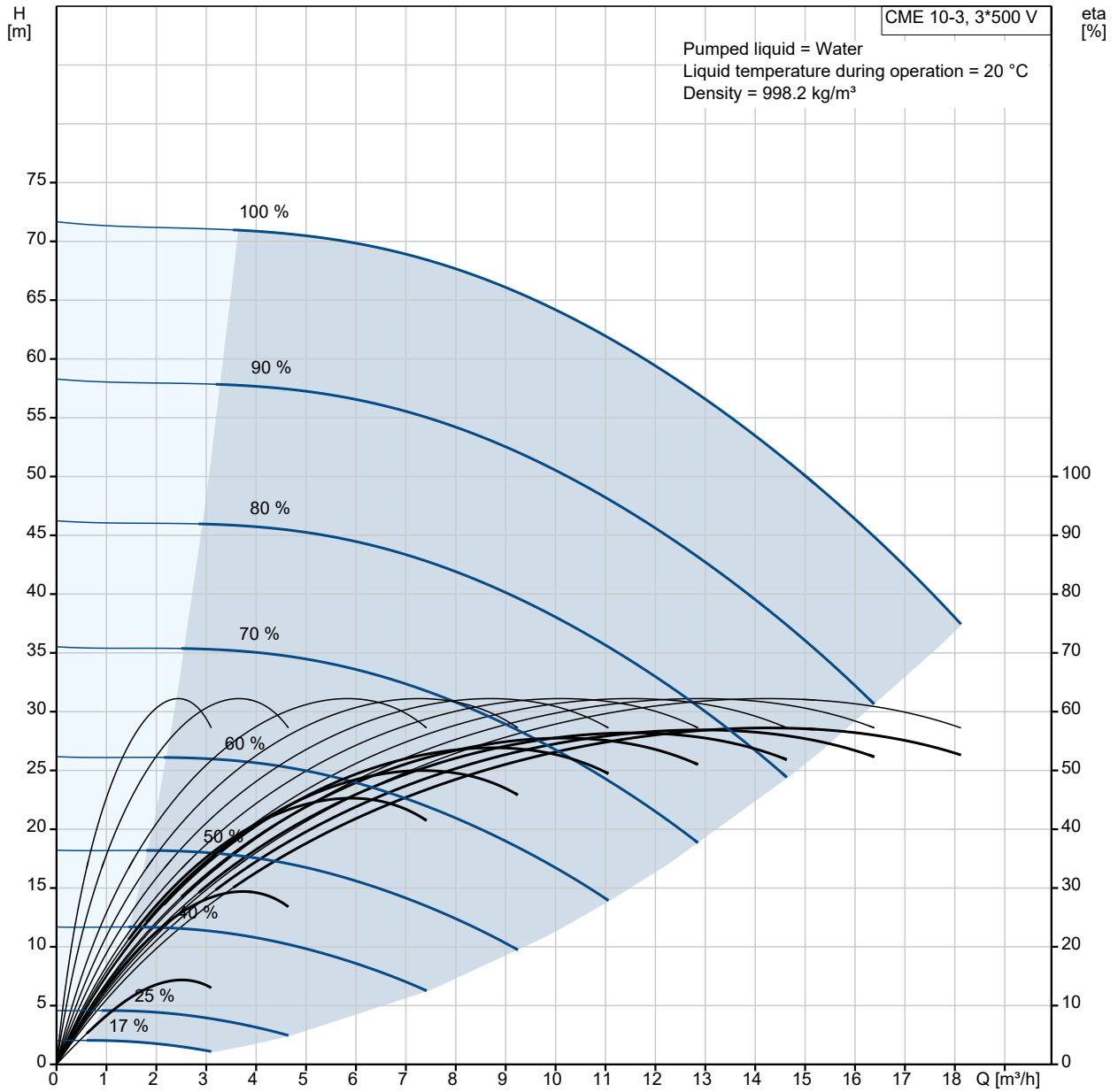


Qty.	Description																										
1	<p data-bbox="199 161 590 190">CME 10-3 A-R-A-E-AQQE S-A-D-N</p>  <p data-bbox="590 465 1061 488" style="text-align: center;">Note! Product picture may differ from actual product</p> <p data-bbox="199 497 470 519">Product No.: 99077758</p> <p data-bbox="199 555 1436 654">Compact, reliable, horizontal, multistage, end-suction centrifugal pump with axial suction port and radial discharge port. The shaft, impellers and chambers are made of stainless steel. The inlet and discharge parts are made of cast iron. The mechanical shaft seal is a special designed, unbalanced O-ring seal. Pipework connection is via internal Whitworth pipe threads, Rp (ISO 7/1).</p> <p data-bbox="199 667 1125 689">The pump is fitted with a 3-phase, fan-cooled, permanent-magnet, synchronous motor.</p> <p data-bbox="199 698 1013 721">The motor efficiency is classified as IE5 in accordance with IEC 60034-30-2.</p> <p data-bbox="199 730 1396 775">The motor includes a frequency converter and PI controller in the motor terminal box. This enables continuously variable control of the motor speed, which again enables adaptation of the performance to a given requirement.</p> <p data-bbox="199 784 1452 860">An operating panel on the motor terminal box enables setting of required setpoint as well as setting of pump to "Min." or "Max." operation or to "Stop". The Grundfos Eye indicator on the operating panel provides visual indication of pump status:</p> <ul data-bbox="239 869 1460 1012" style="list-style-type: none"> • "Power on": Motor is running (rotating green indicator lights) or not running (permanently green indicator lights) • "Warning": Motor is still running (rotating yellow indicator lights) or has stopped (permanently yellow indicator lights) • "Alarm": Motor has stopped (flashing red indicator lights). <p data-bbox="199 1021 1428 1093">Communication with the pump is possible by means of Grundfos GO Remote (accessory). The remote control enables further settings as well as reading out of a number of parameters such as "Actual value", "Speed", "Power input" and total "Power consumption".</p> <p data-bbox="199 1102 798 1124">The terminal box holds terminals for these connections:</p> <ul data-bbox="239 1133 885 1393" style="list-style-type: none"> - one dedicated digital input - two analog inputs, 0(4)-20 mA, 0-5 V, 0-10 V, 0.5 - 3.5 V - 5 V voltage supply to potentiometer and sensor - one configurable digital input or open-collector output - Grundfos Digital Sensor input and output - 24 V voltage supply for sensors - two signal-relay outputs (potential-free contacts) - GENIbus connection - interface for Grundfos CIM fieldbus module. <p data-bbox="199 1429 303 1451">Controls:</p> <table data-bbox="199 1460 646 1482"> <tr> <td>Frequency converter:</td> <td>Built-in</td> </tr> </table> <p data-bbox="199 1518 279 1541">Liquid:</p> <table data-bbox="199 1550 694 1662"> <tr> <td>Pumped liquid:</td> <td>Water</td> </tr> <tr> <td>Liquid temperature range:</td> <td>-20 .. 90 °C</td> </tr> <tr> <td>Selected liquid temperature:</td> <td>20 °C</td> </tr> <tr> <td>Density:</td> <td>998.2 kg/m³</td> </tr> </table> <p data-bbox="199 1697 311 1720">Technical:</p> <table data-bbox="199 1729 885 1899"> <tr> <td>Pump speed on which pump data are based:</td> <td>3480 rpm</td> </tr> <tr> <td>Rated flow:</td> <td>12 m³/h</td> </tr> <tr> <td>Rated head:</td> <td>58.34 m</td> </tr> <tr> <td>Code for shaft seal:</td> <td>AQQE</td> </tr> <tr> <td>Approvals:</td> <td>CE,WRAS,ACS,CURUS,EAC</td> </tr> <tr> <td>Curve tolerance:</td> <td>ISO9906:2012 3B</td> </tr> </table> <p data-bbox="199 1935 311 1957">Materials:</p> <table data-bbox="199 1966 742 2078"> <tr> <td>Pump housing:</td> <td>Cast iron EN-GJL-200 ASTM A48-25A</td> </tr> <tr> <td>Impeller:</td> <td>Stainless steel</td> </tr> </table>	Frequency converter:	Built-in	Pumped liquid:	Water	Liquid temperature range:	-20 .. 90 °C	Selected liquid temperature:	20 °C	Density:	998.2 kg/m ³	Pump speed on which pump data are based:	3480 rpm	Rated flow:	12 m ³ /h	Rated head:	58.34 m	Code for shaft seal:	AQQE	Approvals:	CE,WRAS,ACS,CURUS,EAC	Curve tolerance:	ISO9906:2012 3B	Pump housing:	Cast iron EN-GJL-200 ASTM A48-25A	Impeller:	Stainless steel
Frequency converter:	Built-in																										
Pumped liquid:	Water																										
Liquid temperature range:	-20 .. 90 °C																										
Selected liquid temperature:	20 °C																										
Density:	998.2 kg/m ³																										
Pump speed on which pump data are based:	3480 rpm																										
Rated flow:	12 m ³ /h																										
Rated head:	58.34 m																										
Code for shaft seal:	AQQE																										
Approvals:	CE,WRAS,ACS,CURUS,EAC																										
Curve tolerance:	ISO9906:2012 3B																										
Pump housing:	Cast iron EN-GJL-200 ASTM A48-25A																										
Impeller:	Stainless steel																										

Qty.	Description
	<p>EN 1.4301 AISI 304</p> <p>Installation:</p> <p>Range of ambient temperature: -20 .. 55 °C Maximum operating pressure: 10 bar Max pressure at stated temp: 10 bar / 90 °C 10 bar / 90 °C</p> <p>Type of connection: Rp Size of inlet connection: 1 1/2 inch Size of outlet connection: 1 1/2 inch Outlet position: 12</p> <p>Electrical data:</p> <p>Motor standard: IEC Frame size: 112C Rated power - P2: 4 kW Mains frequency: 50 / 60 Hz Suitable for 50/60 Hz: Y Rated voltage: 3 x 380-500 V Rated current: 7.60-6.20 A Rated speed: 360-4000 rpm Enclosure class (IEC 34-5): IP55 Insulation class (IEC 85): F</p> <p>Others:</p> <p>Terminal box position: 12 Minimum efficiency index, MEI ≥: 0.7 Net weight: 41.3 kg Gross weight: 44.8 kg Danish VVS No.: 385274030</p>

99077758 CME 10-3 A-R-A-E-AQQE S-A-D-N



Description	Value
-------------	-------

General information:

Product name: CME 10-3 A-R-A-E-AQQE S-A-D-N
 Product No: 99077758
 EAN number: 5712606315451
 Price:

Technical:

Pump speed on which pump data are based: 3480 rpm
 Rated flow: 12 m³/h
 Rated head: 58.34 m
 Impellers: 3
 Code for shaft seal: AQQE
 Approvals: CE,WRAS,ACS,CURUS,EAC

Curve tolerance: ISO9906:2012 3B
 Pump version: A
 Model: A

Materials:

Pump housing: Cast iron
 Pump housing: EN-GJL-200
 Pump housing: ASTM A48-25A
 Impeller: Stainless steel
 Impeller: EN 1.4301
 Impeller: AISI 304
 Material code: A
 Code for rubber: E

Installation:

Range of ambient temperature: -20 .. 55 °C
 Maximum operating pressure: 10 bar
 Max pressure at stated temp: 10 bar / 90 °C
 Max pressure at stated temp: 10 bar / 90 °C
 Type of connection: Rp
 Size of inlet connection: 1 1/2 inch
 Size of outlet connection: 1 1/2 inch
 Outlet position: 12
 Connect code: R

Liquid:

Pumped liquid: Water
 Liquid temperature range: -20 .. 90 °C
 Selected liquid temperature: 20 °C
 Density: 998.2 kg/m³

Electrical data:

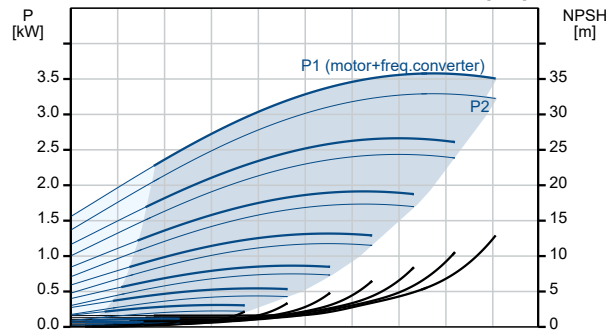
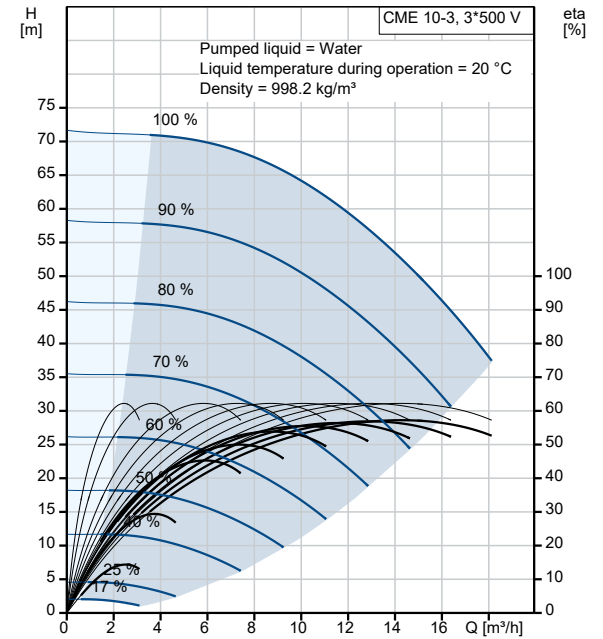
Motor standard: IEC
 Frame size: 112C
 Rated power - P2: 4 kW
 Mains frequency: 50 / 60 Hz
 Suitable for 50/60 Hz: Y
 Rated voltage: 3 x 380-500 V
 Rated current: 7.60-6.20 A
 Rated speed: 360-4000 rpm
 Enclosure class (IEC 34-5): IP55
 Insulation class (IEC 85): F

Controls:

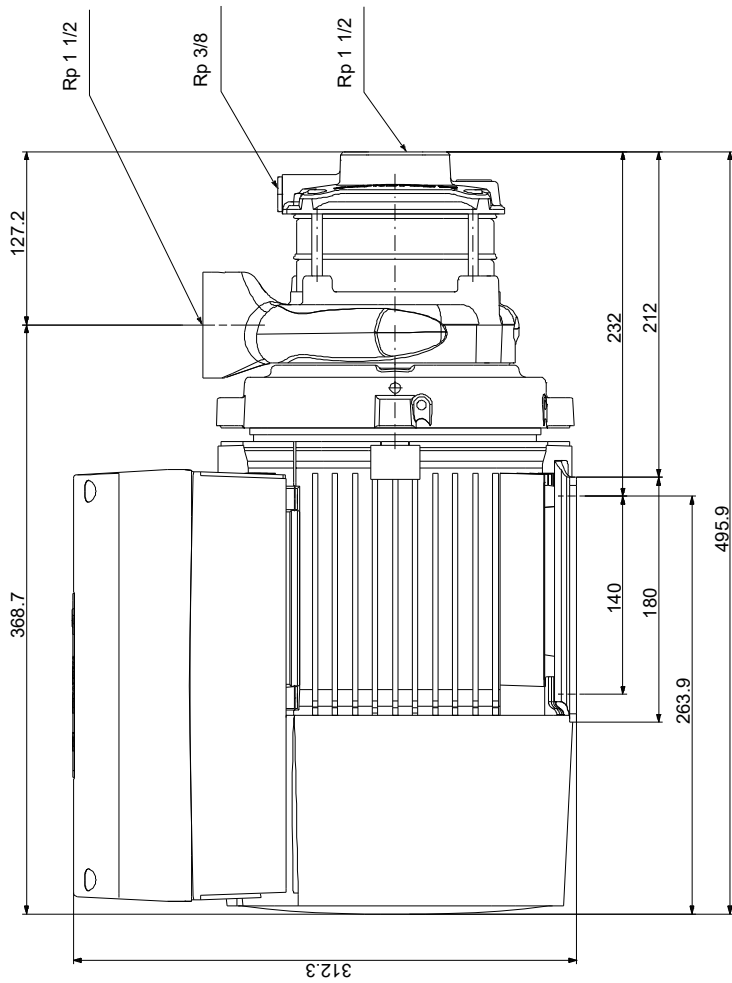
Frequency converter: Built-in

Others:

Terminal box position: 12
 Minimum efficiency index, MEI ≥: 0.7
 Net weight: 41.3 kg
 Gross weight: 44.8 kg
 Danish VVS No.: 385274030

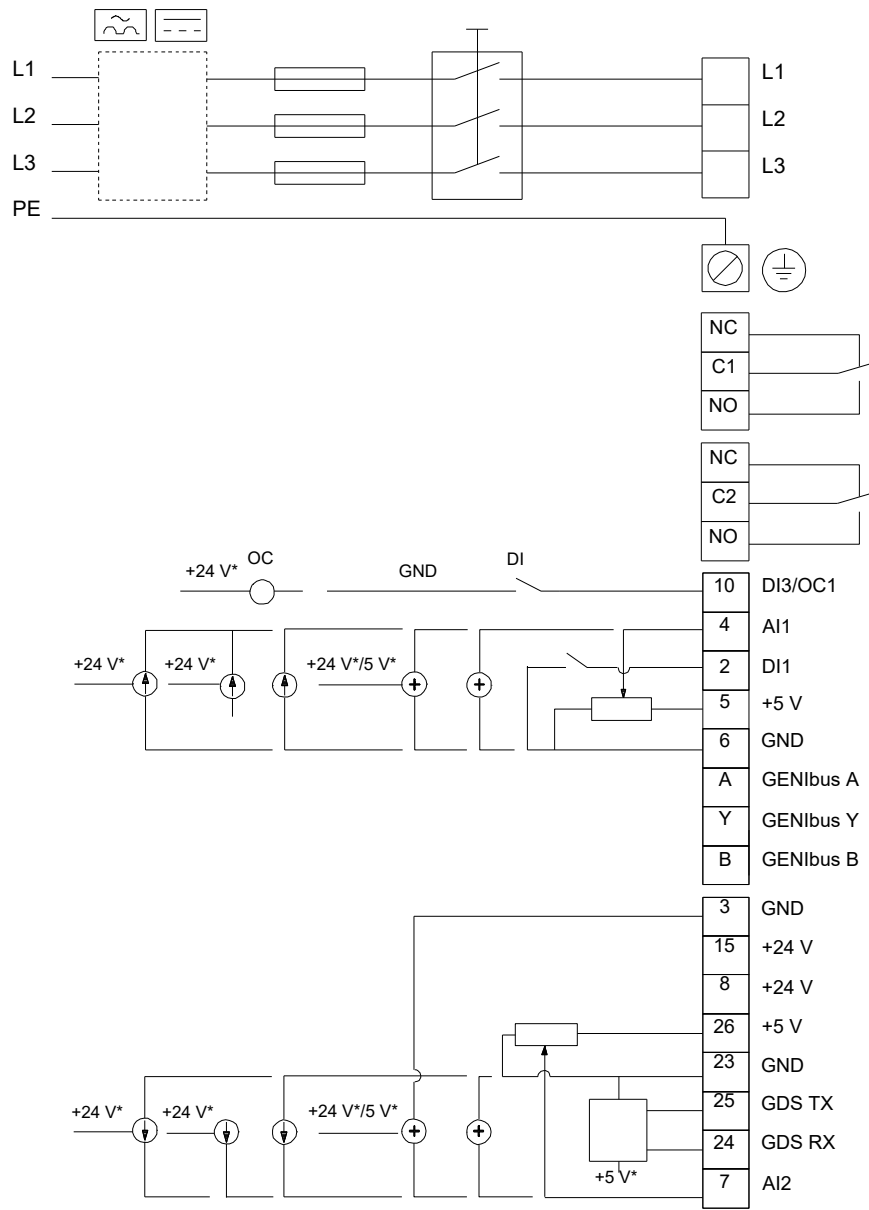


99077758 CME 10-3 A-R-A-E-AQQE S-A-D-N



Note! All units are in [mm] unless others are stated.
 Disclaimer: This simplified dimensional drawing does not show all details.

99077758 CME 10-3 A-R-A-E-AQQE S-A-D-N



Note! All units are in [mm] unless others are stated.